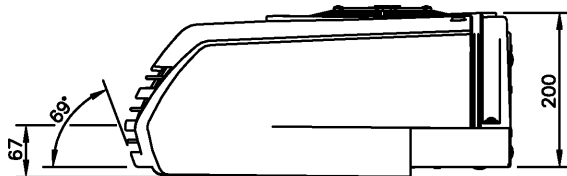
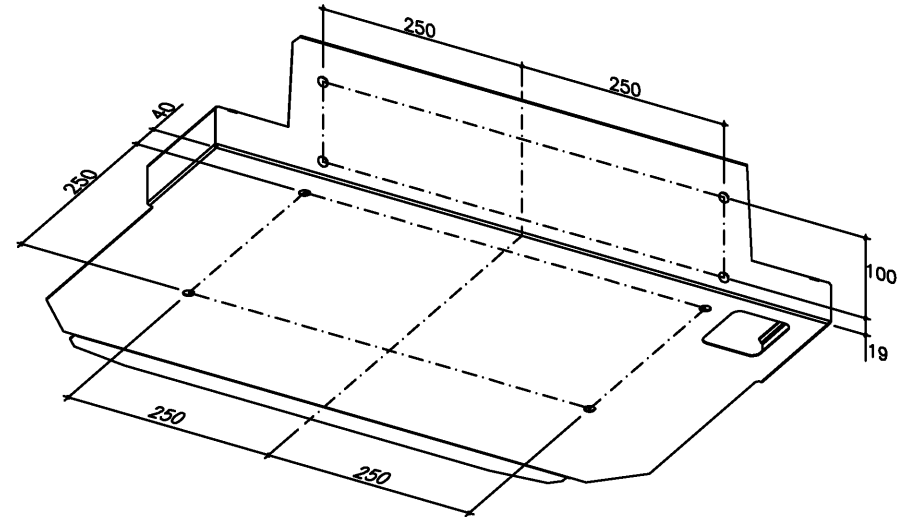
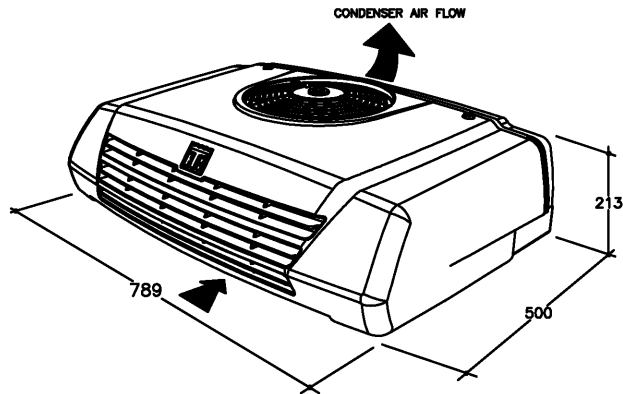




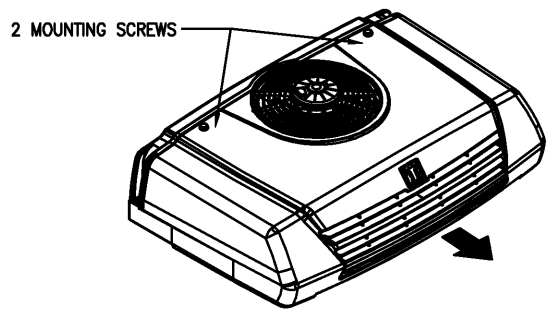
| REVISIONS | | | | | |
|-----------|-----|-------------|-----------|----|---------|
| ECO | SYM | DESCRIPTION | DATE | BY | CHK APP |
| 512480 | A | RELEASED | 20-Jun-06 | JL | LG MAF |



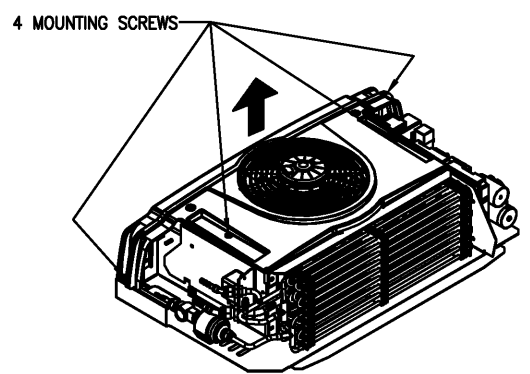
| ITEM | PART NUMBER | REV. | DESCRIPTION | QTY. | MAT'L SPEC'S |
|---|-------------|---------|-------------|--|--------------|
| LIST OF MATERIAL | | | | | |
| DRAWN | JORDI L. | DATE | 20-Jun-06 | <div style="display: flex; justify-content: space-between;"> <div style="text-align: center;"> <p>OUTLINE DRAWING CONDENSER B100</p> <p>SHEET <u>1</u> of <u>2</u></p> </div> <div style="text-align: right;">  </div> </div> | |
| CHECKED | LORENZO G | DATE | 29-Sep-06 | | |
| APPROVED | M.A Ferrer | DATE | 29-Sep-06 | | |
| THIS PRINT SUPERSEDES ANY OF EARLIER DATE. DESTROY SAME. | | | | | |
|  | | SCALE | /. | MATERIAL: | |
| | | FINISH: | | DRAWING NUMBER | 1E39852 |
| | | | | REV. | A |

THIS DOCUMENT CONTAINS PROPRIETARY INFORMATION OF THE THERMO KING CORPORATION. IT IS TRANSMITTED TO YOU IN CONFIDENCE AND TRUST, AND IS TO BE RETURNED UPON REQUEST. ITS CONTENTS MAY NOT BE DISCLOSED IN WHOLE OR IN PART TO OTHERS OR USED FOR OTHER THAN THE PURPOSE FOR WHICH TRANSMITTED WITHOUT THE PRIOR WRITTEN PERMISSION OF THERMO KING CORPORATION.

1 REMOVE THE COVER



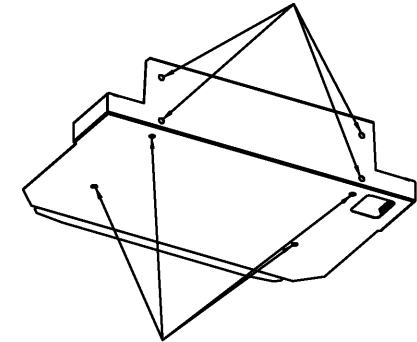
2 REMOVE THE COIL CANALIZER (Remove the fan connector)




NOTA:
El aspecto y los componentes de la unidad pueden variar dependiendo del modelo en concreto

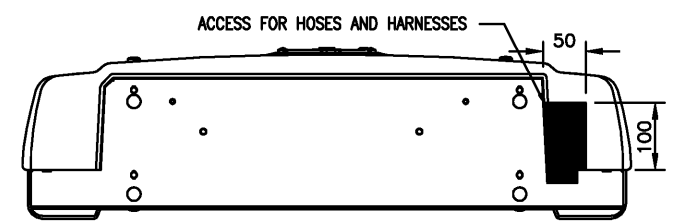
NOTA:
The components and the unit look's can changed depending on the model


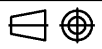
 FIX THE CONDENSER BY MEANS OF THESE 4 HOLES WHEN THE CONDENSER IS MOUNTED ON THE FRONT OF THE TRUCK



 IN A ROOF-MOUNTING FIX THE CONDENSER BY MEANS OF THESE 4 HOLES

WHEN THE CONDENSER IS MOUNTED ON THE FRONT OF THE TRUCK (A NON-ROOF MOUNTING); THE SHADED MATERIAL MUST BE REMOVED FROM THE COVER AS SHOWN:



| ITEM | PART NUMBER | REV. | DESCRIPTION | QTY. | MAT'L SPEC'S |
|---|-------------------|--------------------------------------|--------------|---|--------------|
| LIST OF MATERIAL | | | | | |
| DRAWN JORDI L. | DATE 20-Jun-06 | OUTLINE DRAWING CONDENSER B100 | |  | |
| CHECKED LORENZO G | DATE 29-Sep-06 | | | | |
| APPROVED M.A Ferrer | DATE 29-Sep-06 | | | | |
| THIS PRINT SUPERSEDES ANY OF EARLIER DATE. DESTROY SAME. | | | SHEET 2 of 2 | DRAWING NUMBER | REV. |
|  | | SCALE . / . | MATERIAL: . | 1E39852 | A |
| | | | FINISH: . | | |
| <small>THIS DOCUMENT CONTAINS PROPRIETARY INFORMATION OF THE THERMO KING CORPORATION. IT IS TRANSMITTED TO YOU IN CONFIDENCE AND TRUST, AND IS TO BE RETURNED UPON REQUEST. ITS CONTENTS MAY NOT BE DISCLOSED IN WHOLE OR IN PART TO OTHERS OR USED FOR OTHER THAN THE PURPOSE FOR WHICH TRANSMITTED WITHOUT THE PRIOR WRITTEN PERMISSION OF THERMO KING CORPORATION.</small> | | | | | |