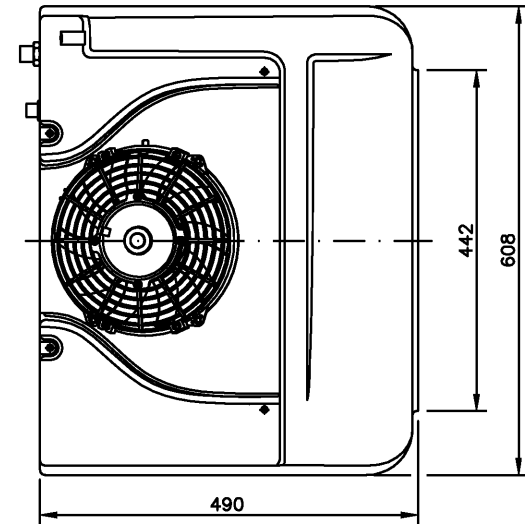
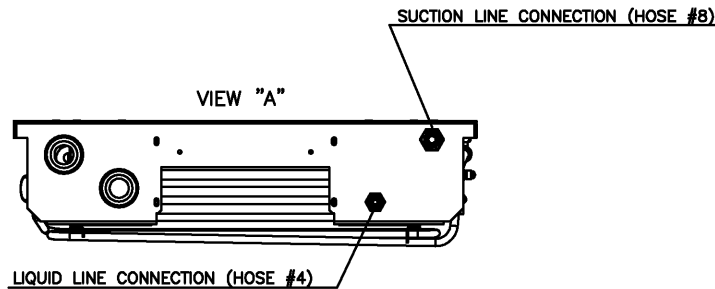
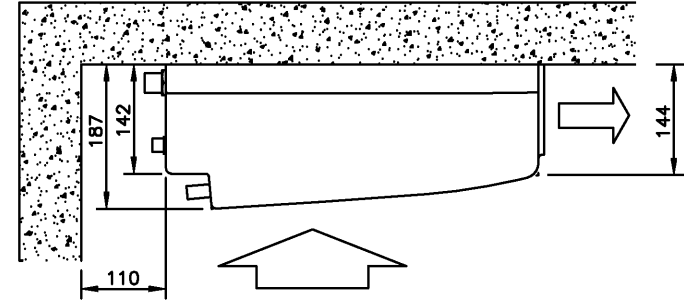
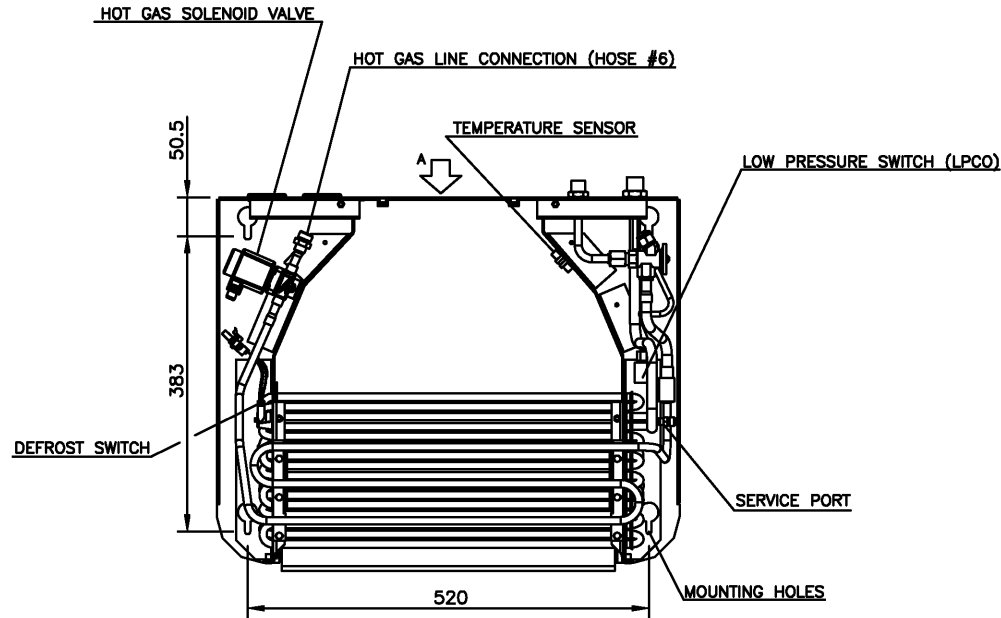


REVISIONS					
ECO	SYM	DESCRIPTION	DATE	BY	CHK APP
512480	A	RELEASED	02-Oct-06	JL	LG MAF



DIMENSIONS IN MILLIMETERS



ITEM	PART NUMBER	REV.	DESCRIPTION	QTY.	MAT'L SPEC'S
LIST OF MATERIAL					
DRAWN	JORDI L.	DATE	12-Sep-06	OUTLINE DRAWING EVAPORATOR ES100 (B100)	
CHECKED	LORENZO	DATE	02-Oct-06		
APPROVED	M.A Ferrer	DATE	02-Oct-06		
THIS PRINT SUPERSEDES ANY OF EARLIER DATE. DESTROY SAME.					
SCALE		SHEET 1 OF 1		DRAWING NUMBER	
MATERIAL:		FINISH:		1E40135	
REVISIONS				REV.	
A				A	



THIS DOCUMENT CONTAINS PROPRIETARY INFORMATION OF THE THERMO KING CORPORATION. IT IS TRANSMITTED TO YOU IN CONFIDENCE AND TRUST, AND IS TO BE RETURNED UPON REQUEST. ITS CONTENTS MAY NOT BE DISCLOSED IN WHOLE OR IN PART TO OTHERS OR USED FOR OTHER THAN THE PURPOSE FOR WHICH TRANSMITTED WITHOUT THE PRIOR WRITTEN PERMISSION OF THERMO KING CORPORATION.