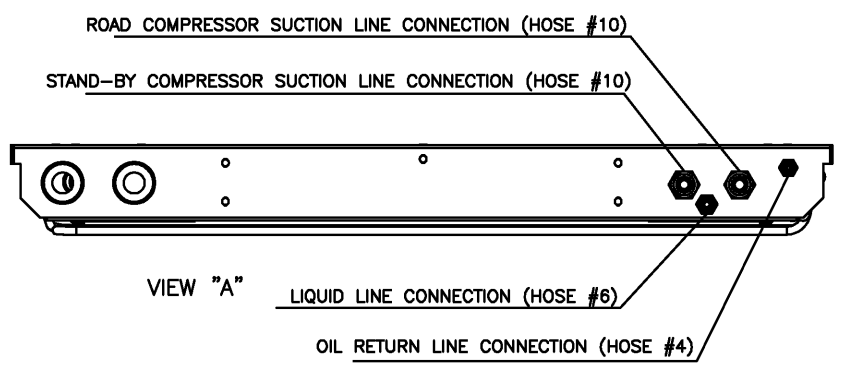
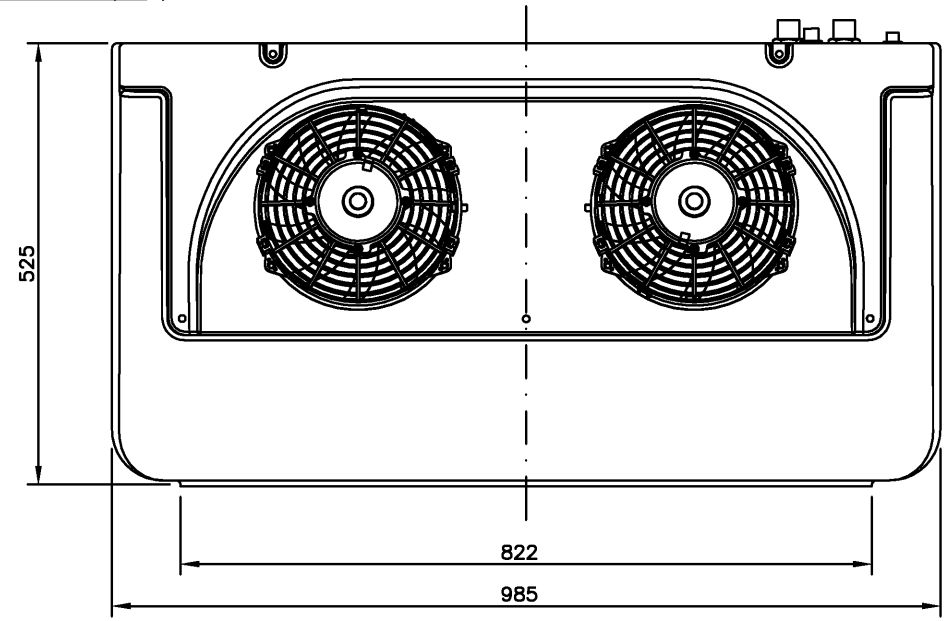
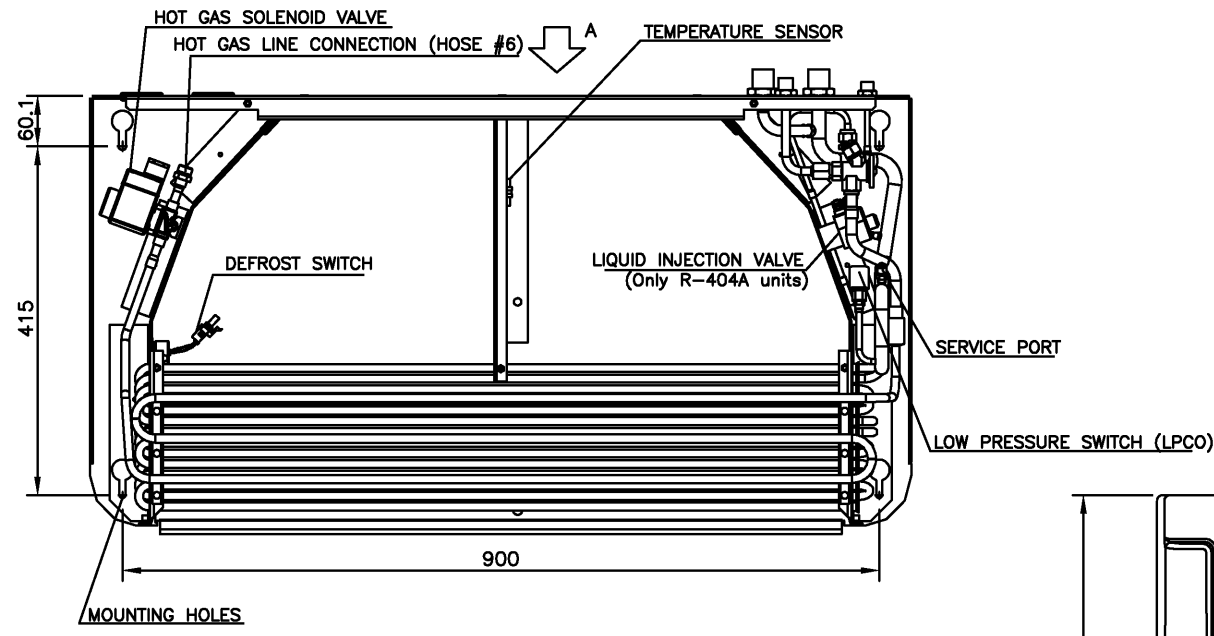
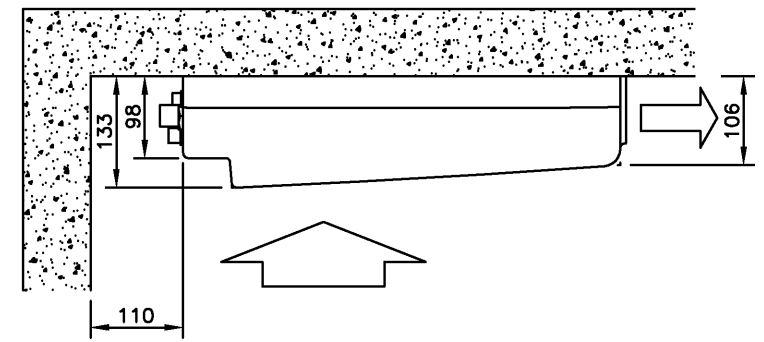


REVISIONS					
ECO	SYM	DESCRIPTION	DATE	BY	CHK APP
504001	A	RELEASED	18-Mar-03	JL	LG JL
509353	B	ALL THE INFORMATION IN ONE PAGE	18-Apr-05	CM	LG CM



DIMENSIONS IN MILLIMETERS



ITEM	PART NUMBER	REV.	DESCRIPTION	QTY.	MAT'L SPEC'S
LIST OF MATERIAL					
DRAWN JORDI L.		DATE 18-Mar-03		<div style="display: flex; justify-content: space-between;"> <div style="text-align: center;"> <p>OUTLINE DRAWING EVAPORATOR ES200</p> </div> <div style="text-align: right;"> </div> </div>	
CHECKED LORENZO		DATE 25-Sep-03			
APPROVED JORDI L.		DATE 25-Sep-03			
THIS PRINT SUPERSEDES ANY OF EARLIER DATE. DESTROY SAME.					
			SHEET <u>1</u> OF <u>1</u>		
		SCALE ./.		DRAWING NUMBER <b>1E16162</b>	
		MATERIAL: FINISH:		REV. <b>B</b>	
THIS DOCUMENT CONTAINS PROPRIETARY INFORMATION OF THE THERMO KING CORPORATION. IT IS TRANSMITTED TO YOU IN CONFIDENCE AND TRUST, AND IS TO BE RETURNED UPON REQUEST. ITS CONTENTS MAY NOT BE DISCLOSED IN WHOLE OR IN PART TO OTHERS OR USED FOR OTHER THAN THE PURPOSE FOR WHICH TRANSMITTED WITHOUT THE PRIOR WRITTEN PERMISSION OF THERMO KING CORPORATION.					