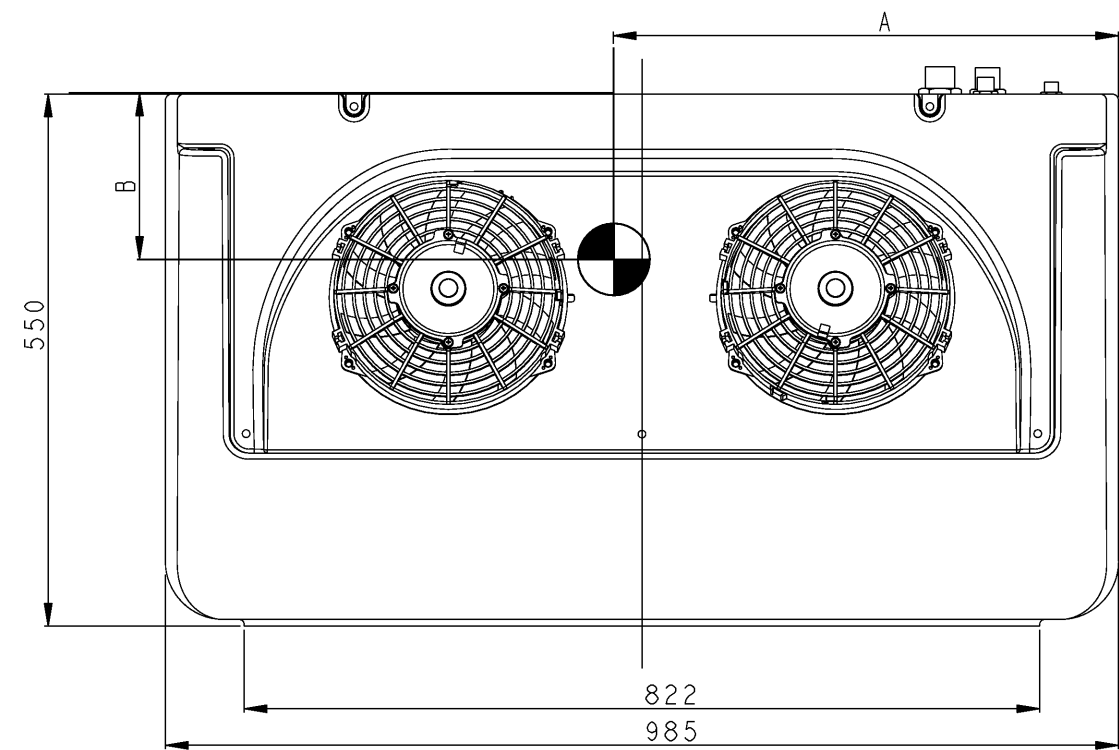
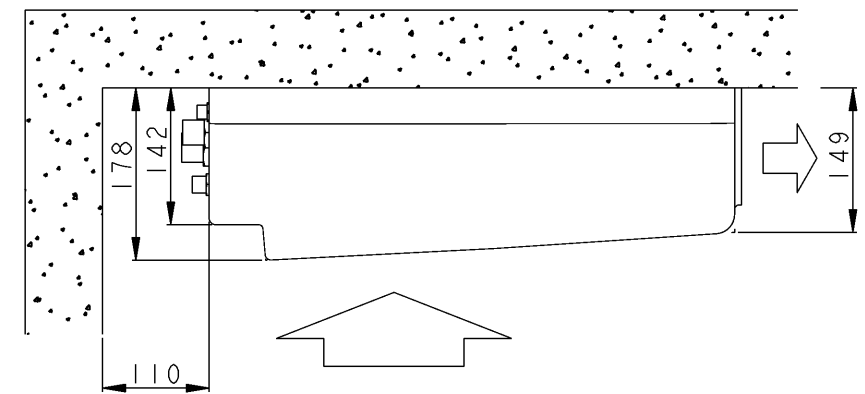
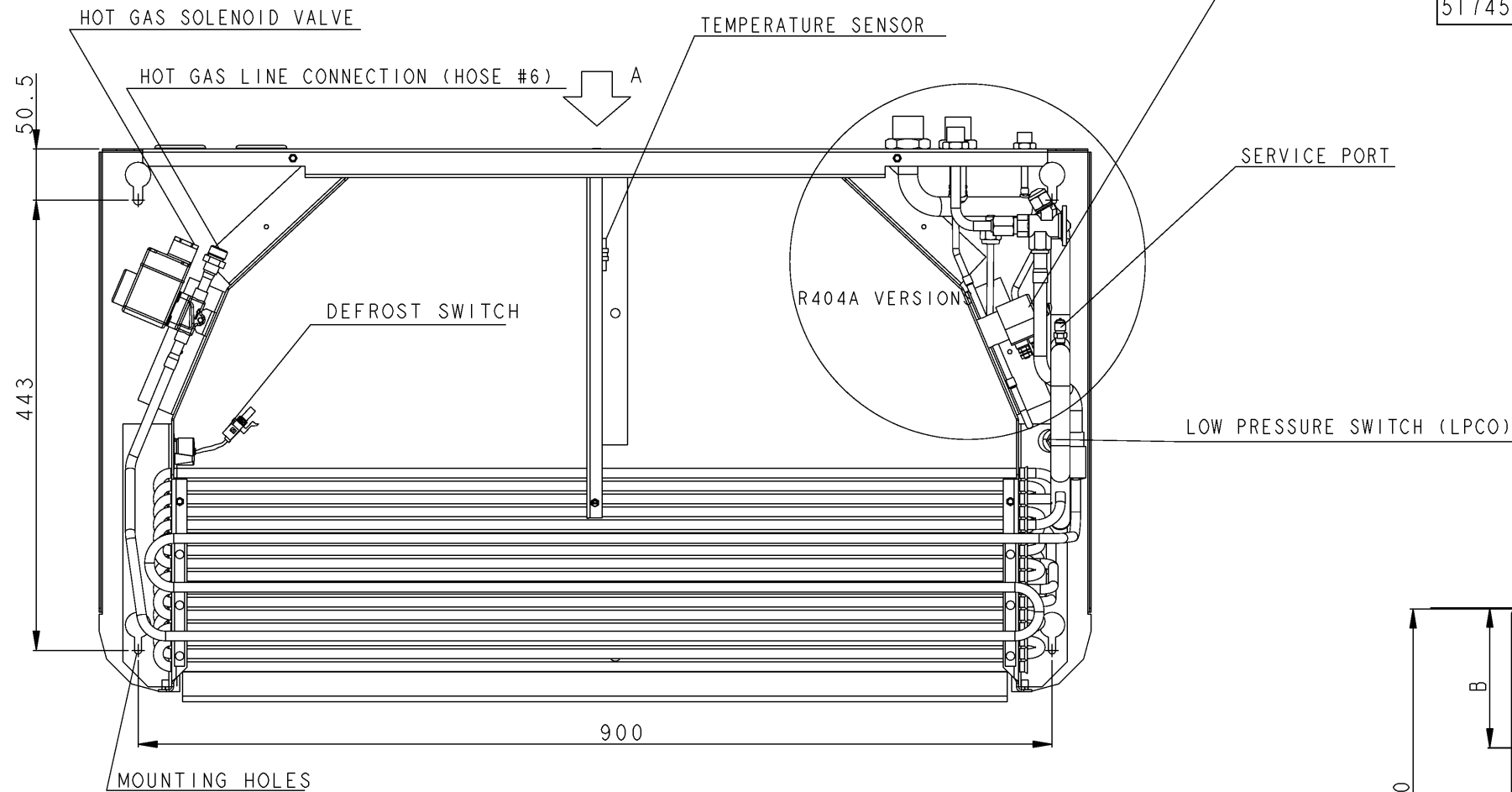


REVISIONS

ECO	SYM	DESCRIPTION	DATE	BY	CHK	APP
504001	A	RELEASED	18-Mar-03	JL	LG	JL
509353	B	ALL THE INFORMATION IN ONE PAGE	18-Apr-05	CM	LG	CM
517458	C	ADDED CENTER OF GRAVITY	20-Jul-07	AKF	JL	AKF

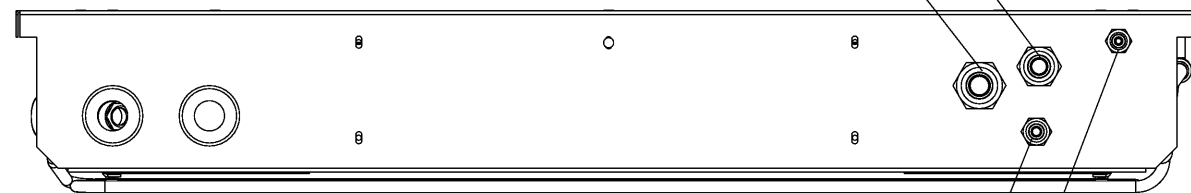
LIQUID INJECTION VALVE (only R404A units)



STAND-BY COMPRESSOR SUCTION LINE CONNECTION (HOSE #10)

ROAD COMPRESSOR SUCTION LINE CONNECTION (HOSE #12)

VIEW "A"



LIQUID LINE CONNECTION (HOSE #6)
OIL RETURN LINE CONNECTION (HOSE #4)

CENTER OF GRAVITY DIMENSIONS

MODEL	A	B
V-300 10	520.7	284.5
V-300 20	518.2	279.4

= CENTER OF GRAVITY

DIMENSIONS IN MILLIMETERS

THIRD ANGLE PROJECTION

ITEM	PART NUMBER	REV.	DESCRIPTION	QTY.	MAT'L SPEC'S
LIST OF MATERIAL					

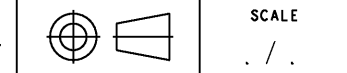
DRAWN	JORDI L.	DATE	18-Mar-03
CHECKED	LORENZO G	DATE	25-Sep-03
APPROVED	JORDI L.	DATE	25-Sep-03

OUTLINE DRAWING
EVAPORATOR
ES300



THIS PRINT SUPERSEDES ANY OF EARLIER DATE. DESTROY SAME.

SHEET ... OF ...



MATERIAL:
FINISH:

DRAWING NUMBER	REV.
1E16163	C

THIS DOCUMENT CONTAINS PROPRIETARY INFORMATION OF THE THERMO KING CORPORATION. IT IS TRANSMITTED TO YOU IN CONFIDENCE AND TRUST, AND IS TO BE RETURNED UPON REQUEST. ITS CONTENTS MAY NOT BE DISCLOSED IN WHOLE OR IN PART TO OTHERS OR USED FOR OTHER THAN THE PURPOSE FOR WHICH TRANSMITTED WITHOUT THE PRIOR WRITTEN PERMISSION OF THERMO KING CORPORATION.