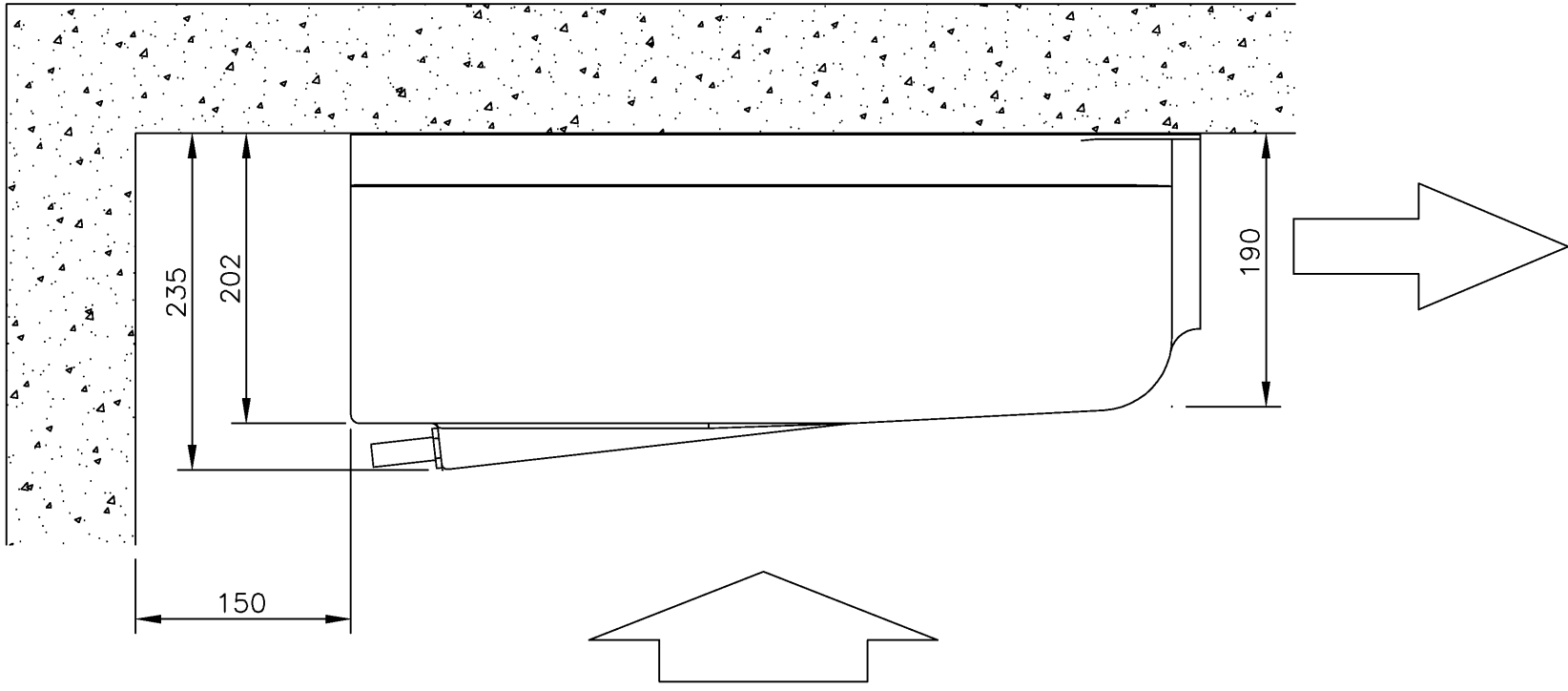
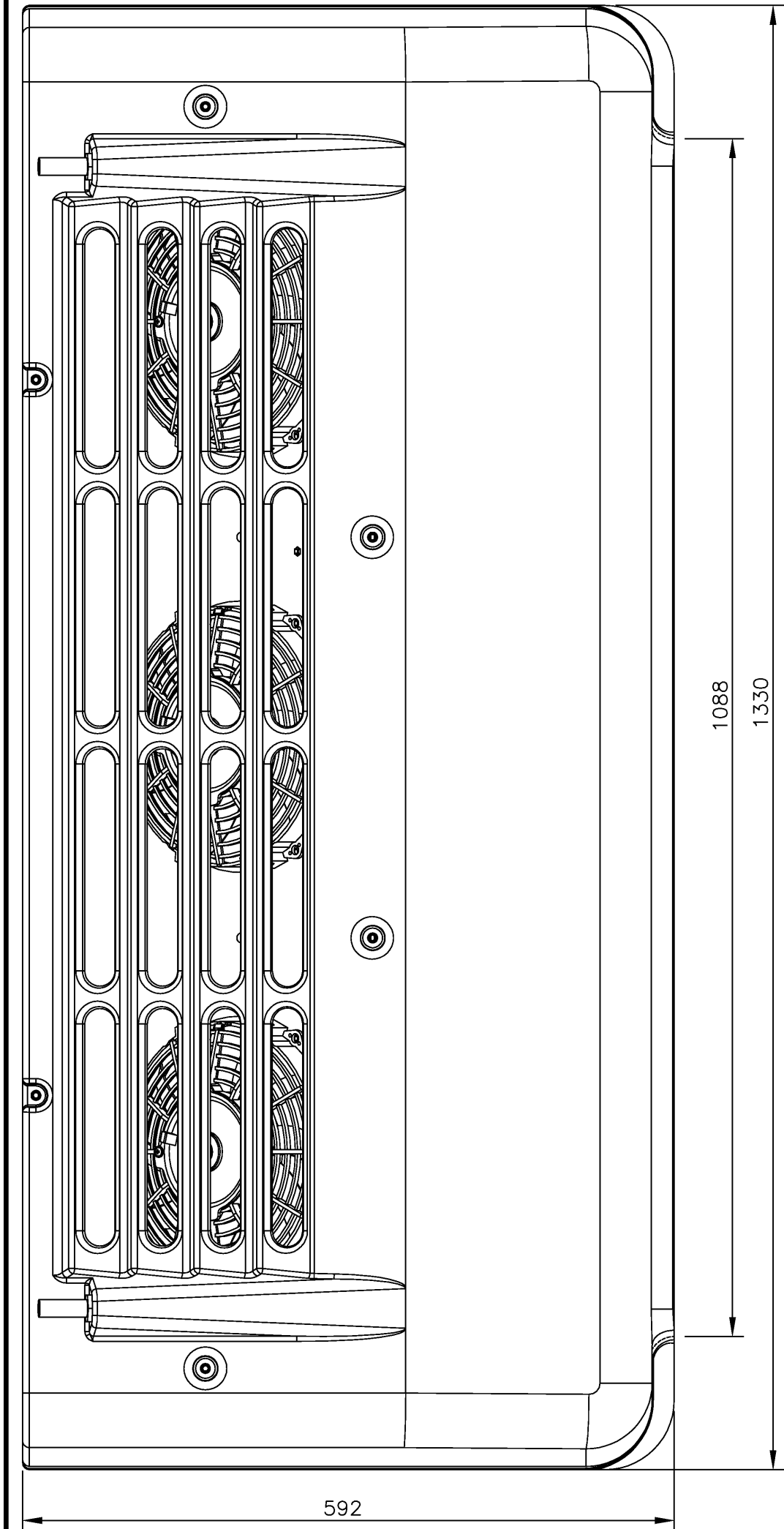

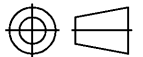


REVISIONS						
ECO	SYM	DESCRIPTION	DATE	BY	CHK	APP
504666	A	RELEASED	14-Jul-02	JL	AS	JL

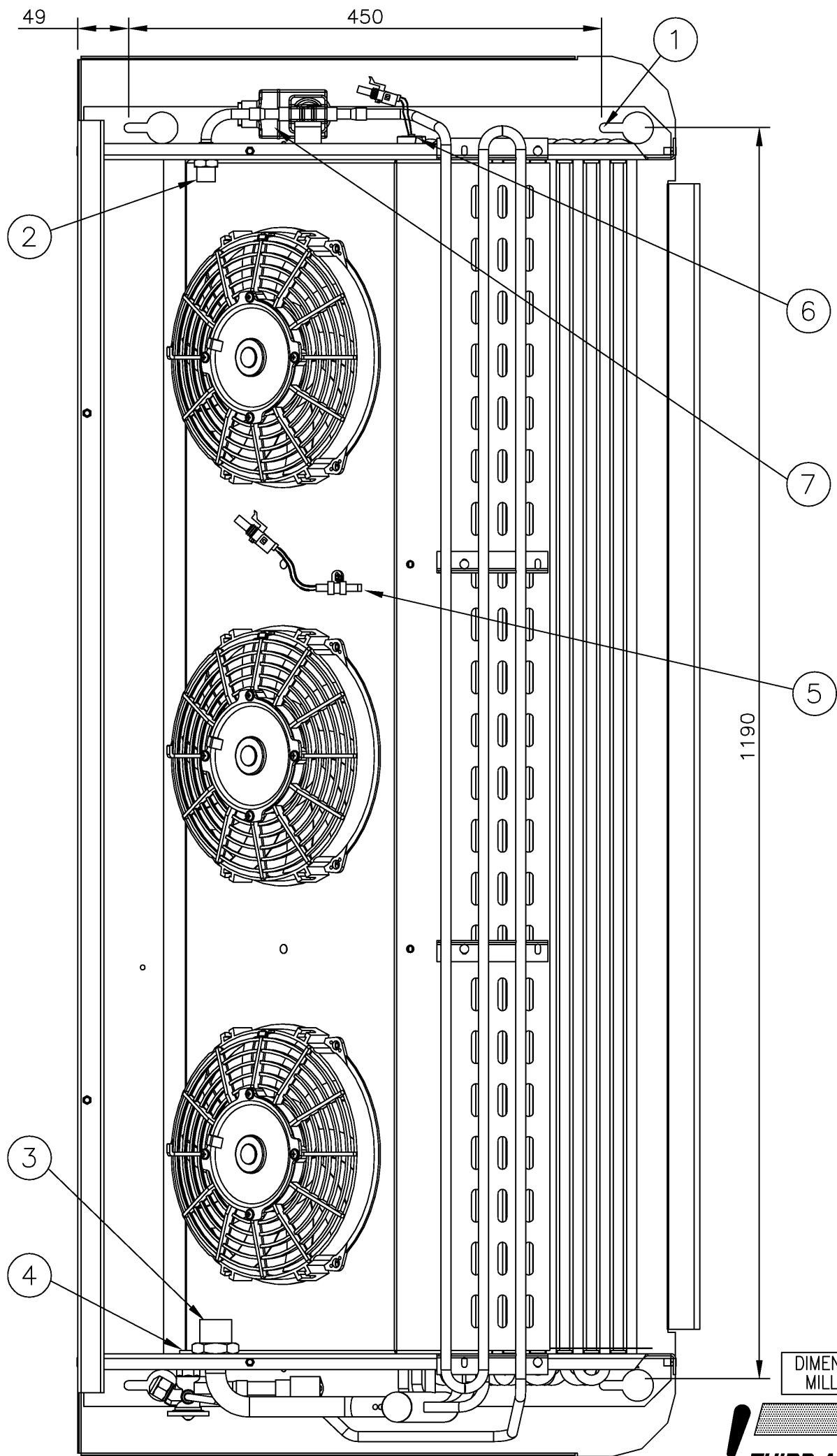


DIMENSIONS IN MILLIMETERS

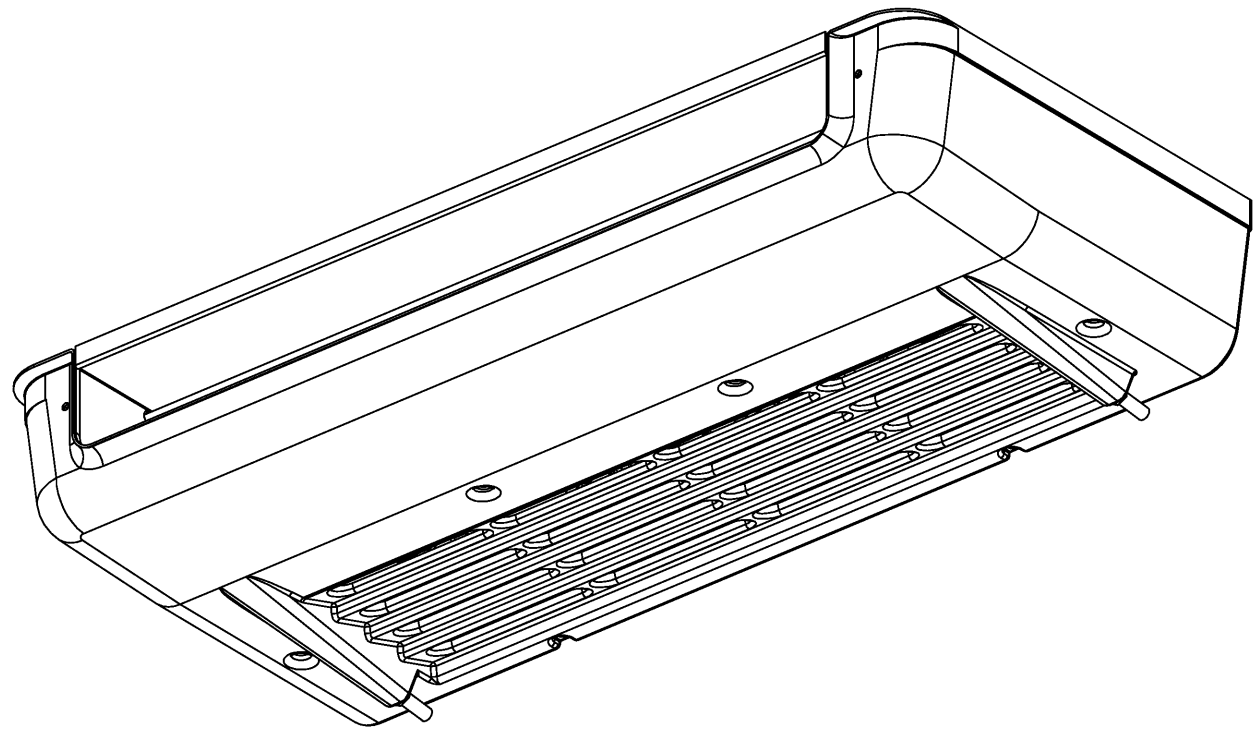
! THIRD ANGLE PROJECTION

ITEM	PART NUMBER	REV.	DESCRIPTION	QTY.	MAT'L SPEC'S
LIST OF MATERIAL					
DRAWN JORDI L.		DATE 14-Jul-02		<div style="display: flex; justify-content: space-between;"> <div style="text-align: center;"> <p>OUTLINE DRAWING EVAPORATOR ES500</p> <p>SHEET <u>1</u> OF <u>2</u></p> </div> <div style="text-align: right;">  </div> </div>	
CHECKED A. SENDINO		DATE 29-Apr-04			
APPROVED JORDI L.		DATE 29-Apr-04			
THIS PRINT SUPERSEDES ANY OF EARLIER DATE. DESTROY SAME.					
		SCALE 1/5		MATERIAL: FINISH:	
				DRAWING NUMBER 1E18485	
				REV. A	

THIS DOCUMENT CONTAINS PROPRIETARY INFORMATION OF THE THERMO KING CORPORATION. IT IS TRANSMITTED TO YOU IN CONFIDENCE AND TRUST, AND IS TO BE RETURNED UPON REQUEST. ITS CONTENTS MAY NOT BE DISCLOSED IN WHOLE OR IN PART TO OTHERS OR USED FOR OTHER THAN THE PURPOSE FOR WHICH TRANSMITTED WITHOUT THE PRIOR WRITTEN PERMISSION OF THERMO KING CORPORATION.



REVISIONS					
ECO	SYM	DESCRIPTION	DATE	BY	CHK APP



- 1.-Mounting holes (4 X $\varnothing 9$)
- 2.-Hot gas line connection (hose #6)
- 3.-Suction line connection (hose #12)
- 4.-Liquid line connection (hose #6)
- 5.-Temperature sensor
- 6.-Defrost switch
- 7.-Hot gas solenoid valve

DIMENSIONS IN MILLIMETERS

! THIRD ANGLE PROJECTION

ITEM	PART NUMBER	REV.	DESCRIPTION	QTY.	MAT'L SPEC'S
LIST OF MATERIAL					
DRAWN JORDI L.		DATE 14-Jul-02		<div style="display: flex; justify-content: space-between;"> <div style="text-align: center;"> <p>OUTLINE DRAWING EVAPORATOR ES500</p> </div> <div style="text-align: right;"> </div> </div>	
CHECKED A. SENDINO		DATE 29-Apr-04			
APPROVED JORDI L.		DATE 29-Apr-04			
THIS PRINT SUPERSEDES ANY OF EARLIER DATE. DESTROY SAME.					
		SCALE 1/5		SHEET <u>2</u> OF <u>2</u>	
MATERIAL:				DRAWING NUMBER	
FINISH:				1E18485	
				REV. A	

THIS DOCUMENT CONTAINS PROPRIETARY INFORMATION OF THE THERMO KING CORPORATION. IT IS TRANSMITTED TO YOU IN CONFIDENCE AND TRUST, AND IS TO BE RETURNED UPON REQUEST. ITS CONTENTS MAY NOT BE DISCLOSED IN WHOLE OR IN PART TO OTHERS OR USED FOR OTHER THAN THE PURPOSE FOR WHICH TRANSMITTED WITHOUT THE PRIOR WRITTEN PERMISSION OF THERMO KING CORPORATION.