

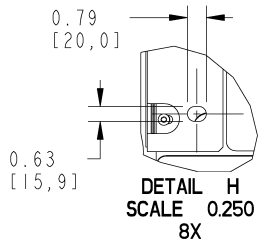
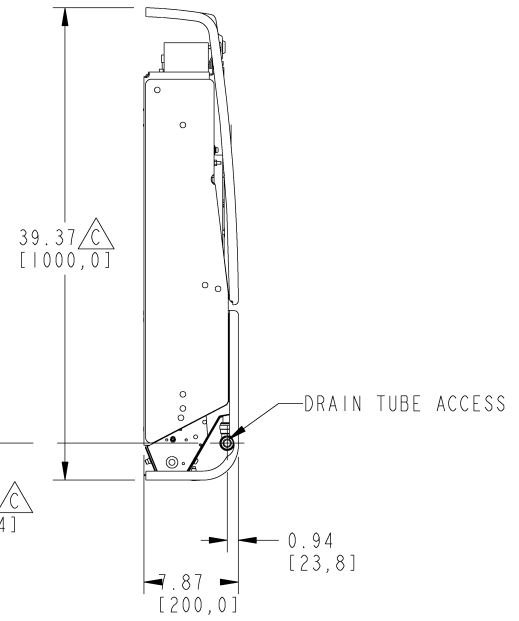
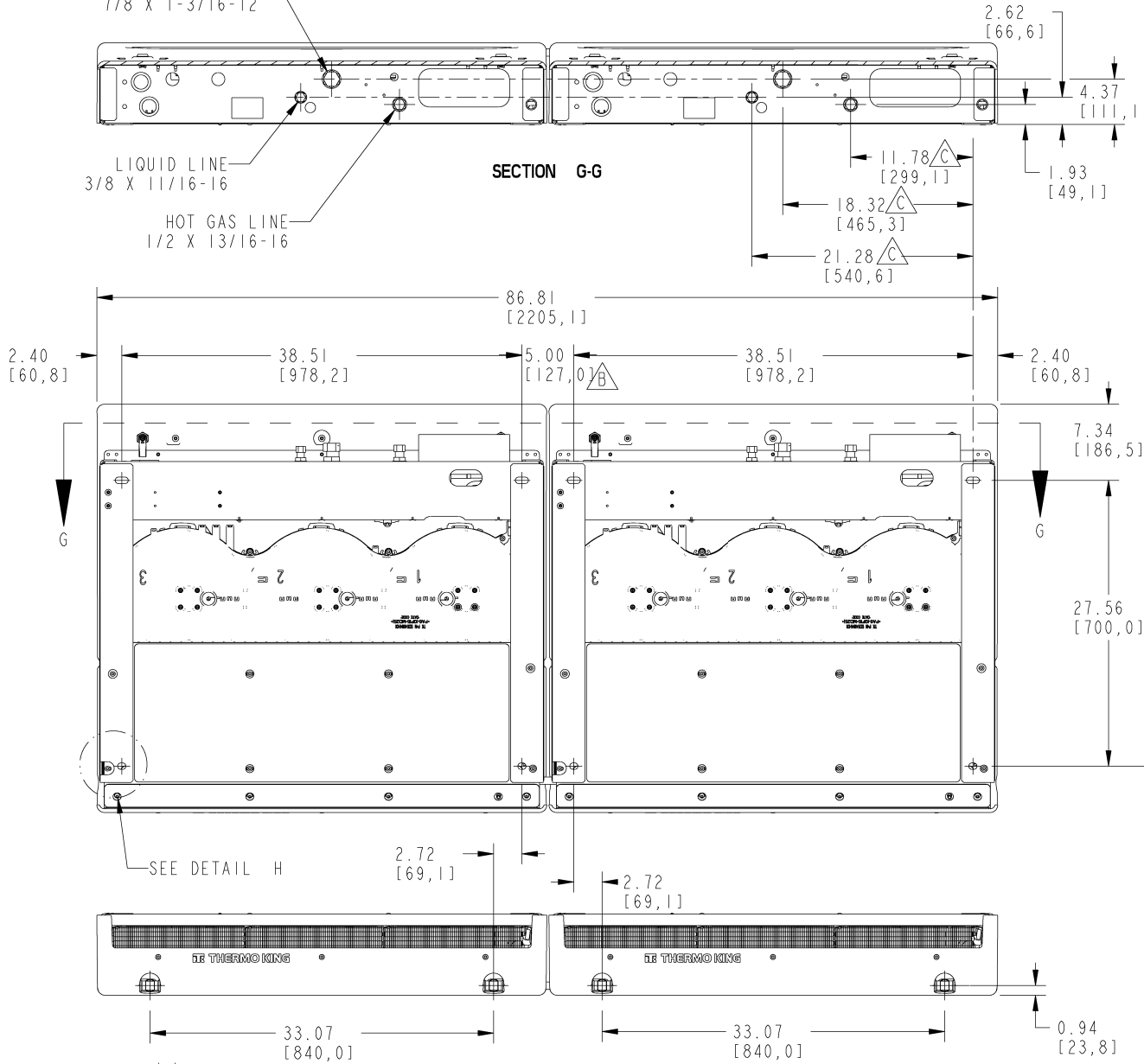
REVISIONS					
CHANGE ORDER	SYM	DESCRIPTION	DATE	BY	APP

SUCTION LINE  
7/8 X 1-3/16-12

LIQUID LINE  
3/8 X 11/16-16

HOT GAS LINE  
1/2 X 13/16-16

SECTION G-G



THERMO KING PROPRIETARY DATA  
THIS DOCUMENT CONTAINS PROPRIETARY INFORMATION OF THE THERMO KING CORPORATION. IT IS TRANSMITTED TO YOU IN CONFIDENCE AND TRUST, AND IS TO BE RETURNED UPON REQUEST. ITS CONTENTS MAY NOT BE DISCLOSED IN WHOLE OR IN PART TO OTHERS OR USED FOR OTHER THAN THE PURPOSE FOR WHICH TRANSMITTED WITHOUT THE PRIOR WRITTEN PERMISSION OF THERMO KING CORPORATION.  
© THERMO KING CORPORATION

G05	G04	G03	G02	G01	ITEM NO	PART/DWG NUMBER	REV.	DESCRIPTION	MATERIAL SPEC	WEIGHT
LIST OF MATERIAL										
FOR TOLERANCES NOT SPECIFIED SEE TKS09-109 TKS11-131					DRAWN A.TAO		DATE 16-Apr-01			
LIMITS NOT ACCUMULATIVE OVER A CONTINUOUS LINE OF DIMENSIONS					CHECKED LC		DATE 10-Oct-01			
DRAWING CONFORMS TO ANSI Y14.5M-1982					APPROVED LC		DATE 10-Oct-01			
DESIGN DIMENSIONS ARE IN INCHES DIMENSIONS IN [ ] ARE MILLIMETRE EQUIVALENT					APPROVED -					
FINISH NONE					THIS PRINT SUPERSEDES ANY OF EARLIER DATE DESTROY SAME					
SCALE 0.125							SHEET 4 OF 4		DRAWING NUMBER 1E02132	
									REV C	

OUTLINE DRAWING  
S3 + S3

THERMO KING CORPORATION  
MINNEAPOLIS, MINNESOTA USA

SCALE 0.125 SHEET 4 OF 4

1E02132 C