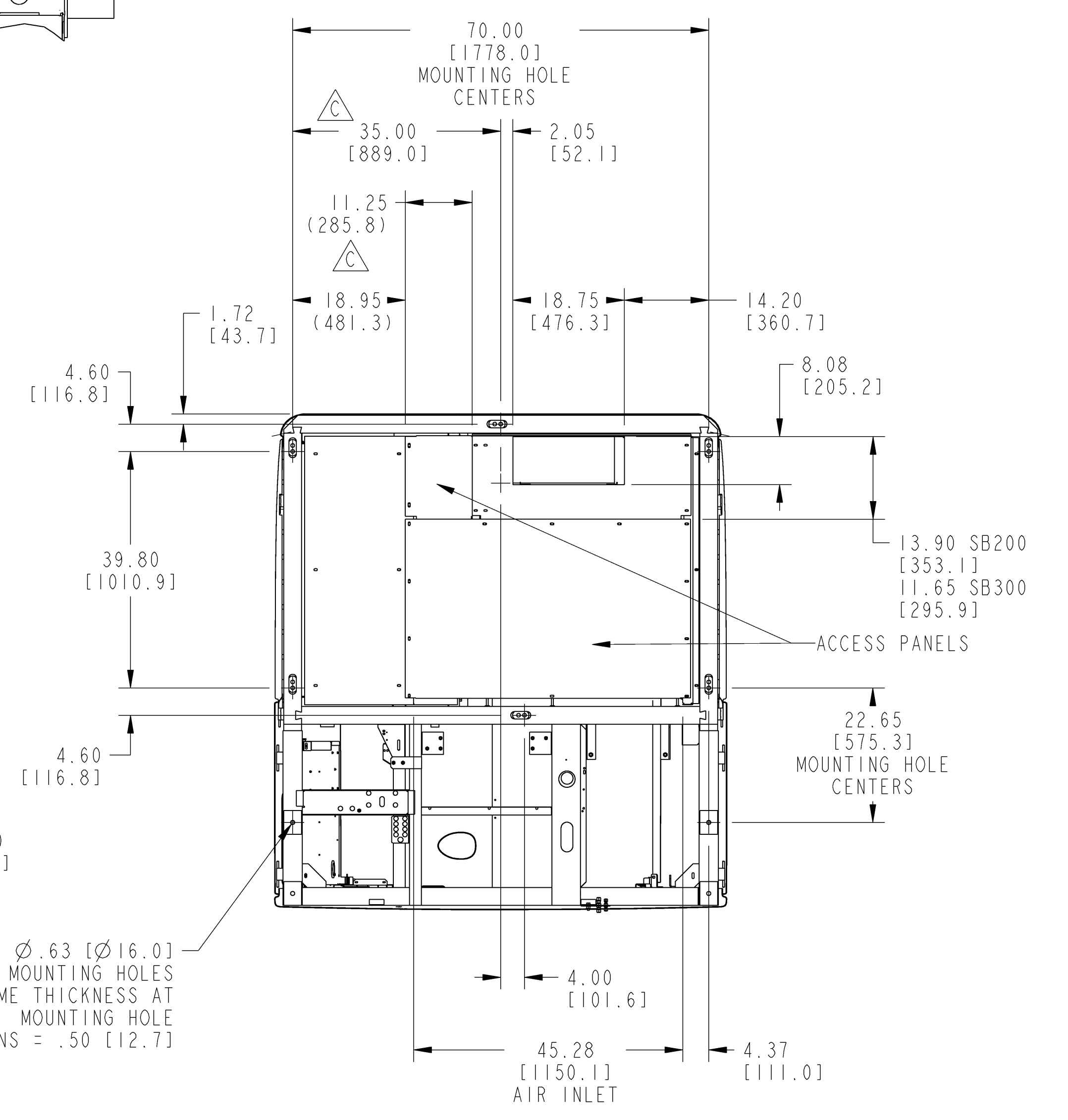
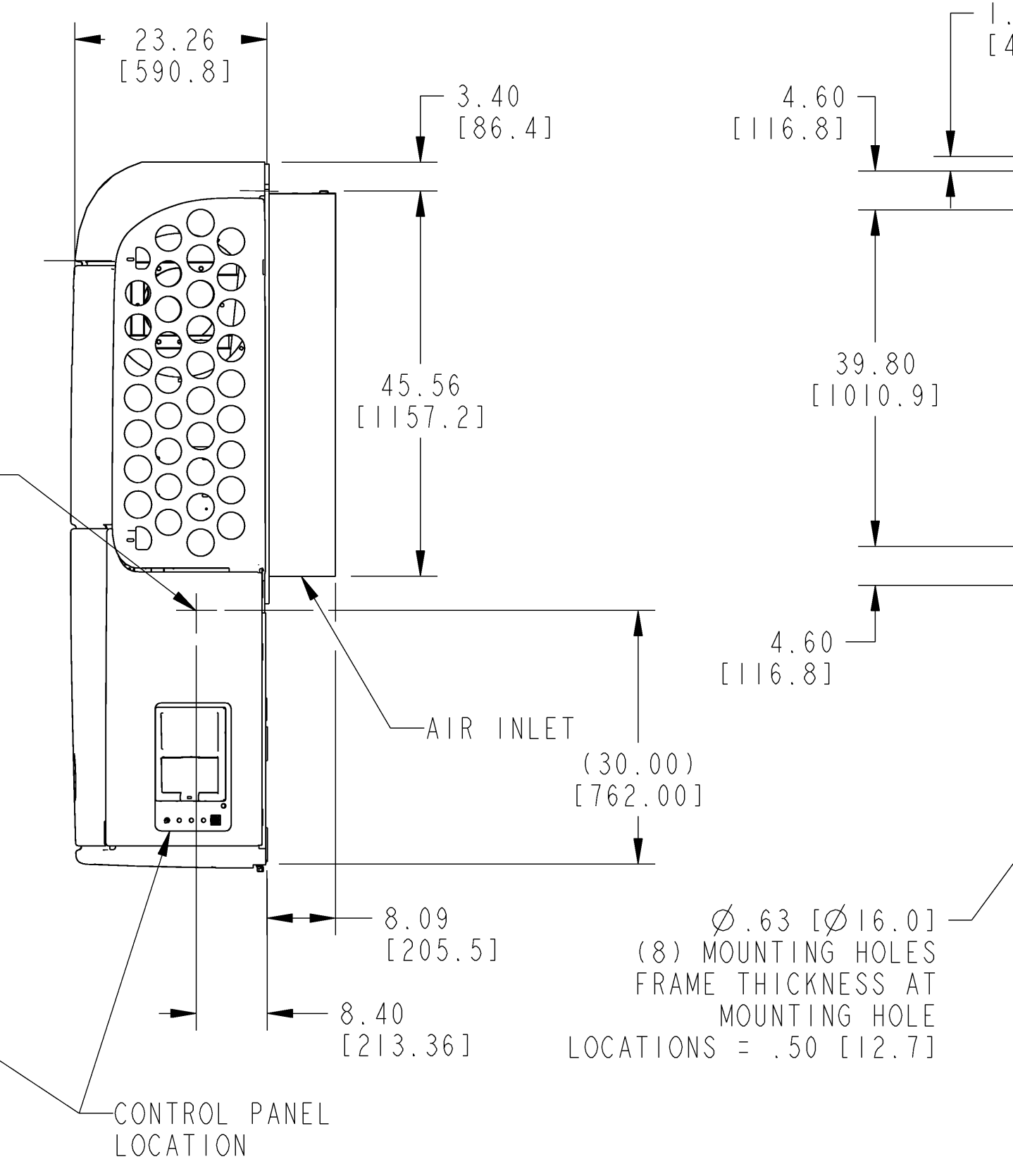
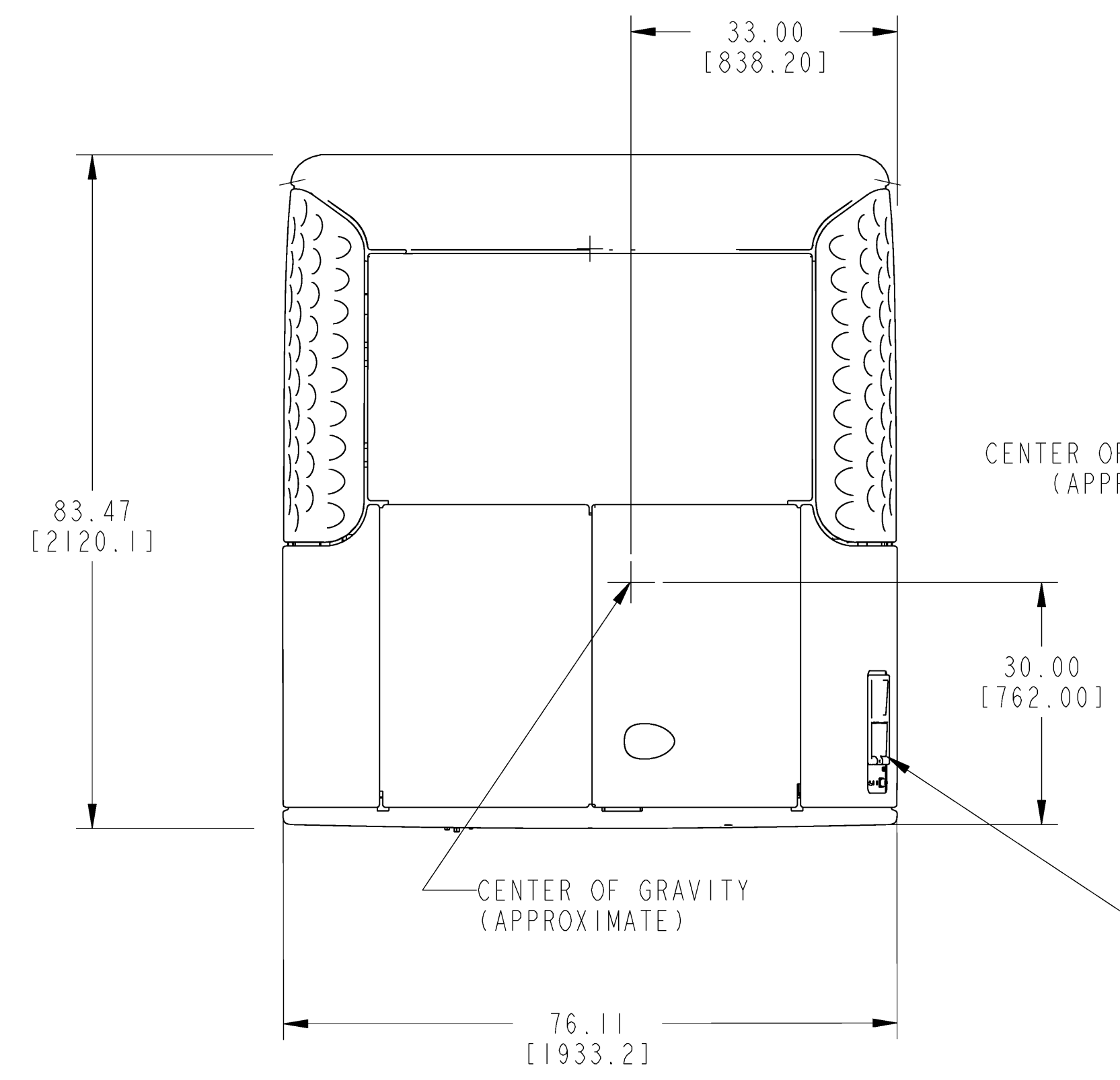
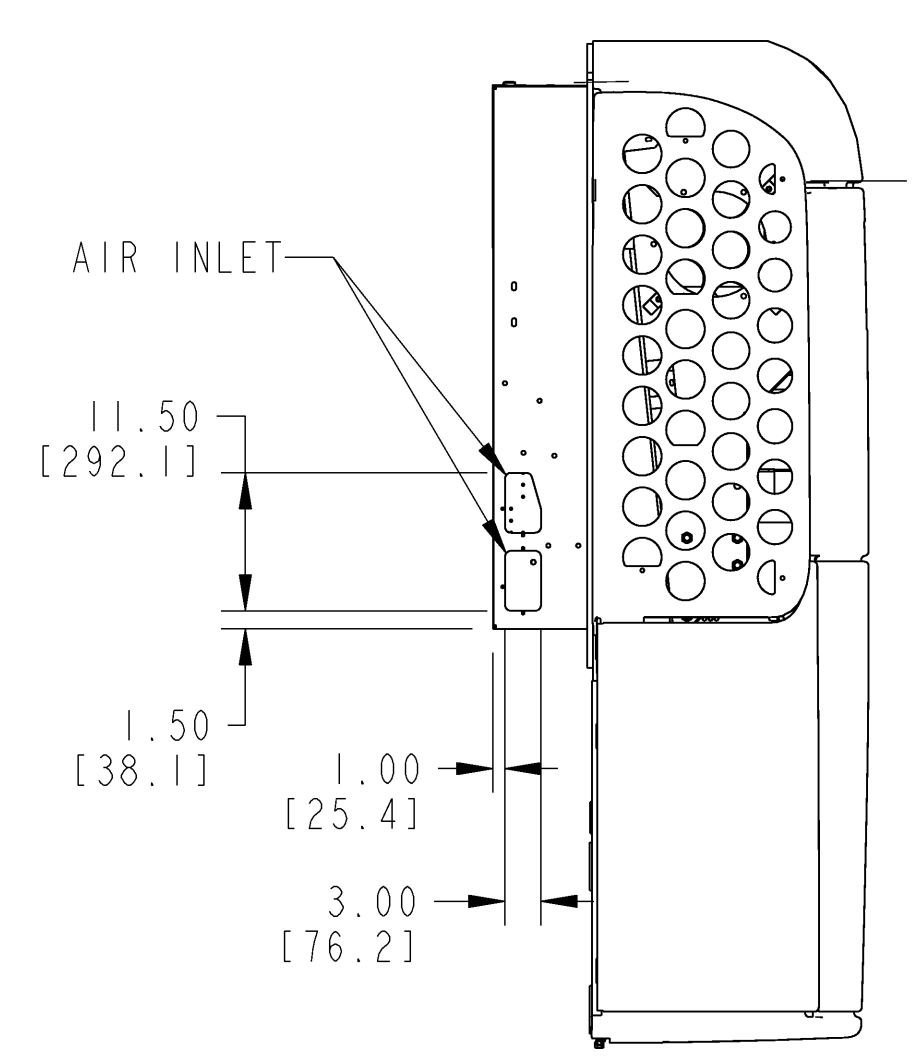
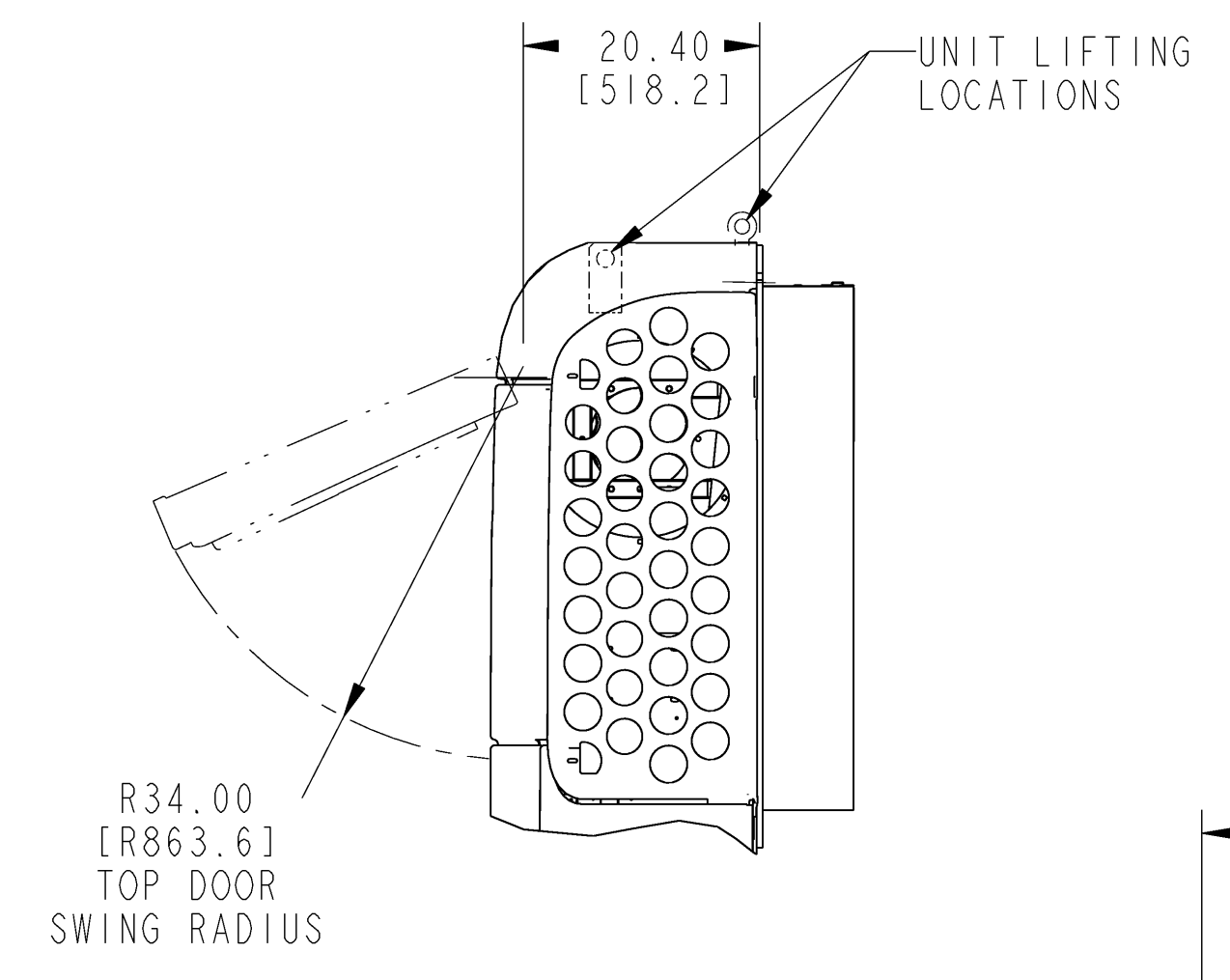
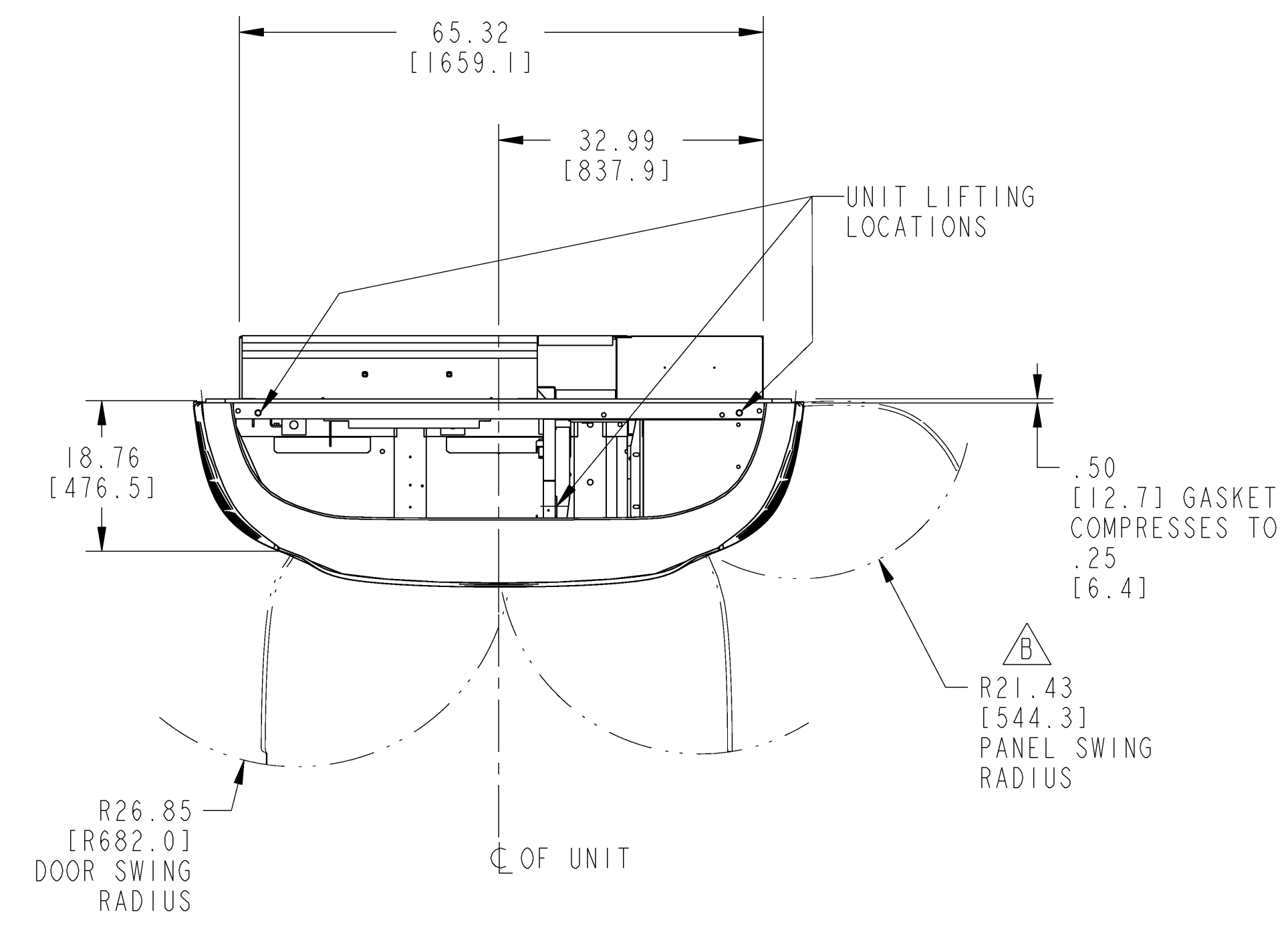
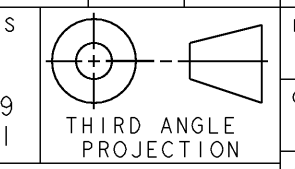


REVISIONS						
CHANGE ORDER	SYM	DESCRIPTION	DATE	BY	CHK'D	APP
78193	A	RELEASED	31-Aug-00	PFB	BDR	-
79566	B	ADDED R/S PANEL SWING RADIUS	10-Apr-01	PFB	PFB	
79761	C	ADDED DIMENSIONS, REVISED TITLE BLOCK	23-May-01	PFB	PFB	
79905	D	ADDED CENTER OF GRAVITY DIMENSIONS	07-Jun-01	PFB	PFB	
504711	E	ADDED SHEET 2, VIEWS AND DIMENSIONS	02-Sep-03	PFB	PFB	LC



G05	G04	G03	G02	G01	ITEM NO	PART/DWG NUMBER	REV.	DESCRIPTION	MATERIAL SPEC	WEIGHT
					REV			LIST OF MATERIAL		
					DRAWN	PFB	DATE	31-Aug-00		
					CHECKED	BDR	DATE	22-Sep-00		
					APPROVED					
					APPROVED					
					THIS PRINT SUPERSEDES ANY OF EARLIER DATE DESTROY SAME					
					SCALE	0.063		SHEET 1 OF 2		
									5D54564	E

TKS09-109
TKS11-131
DRAWING CONFORMS TO
ANSI Y14.5M-1982
DESIGN DIMENSIONS ARE IN INCHES
DIMENSIONS IN [] ARE MILLIMETRE EQUIVALENT
FINISH
NONE

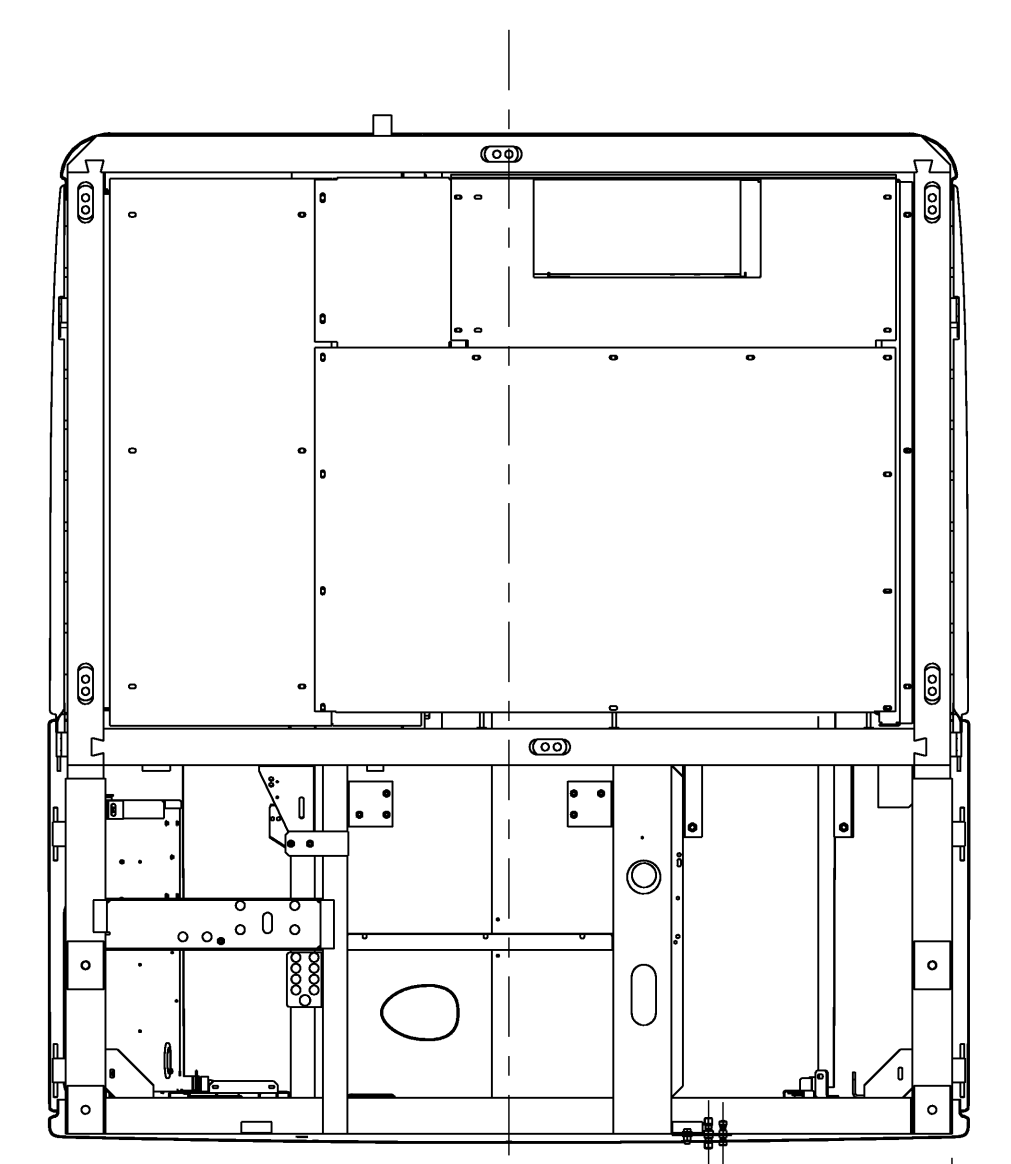
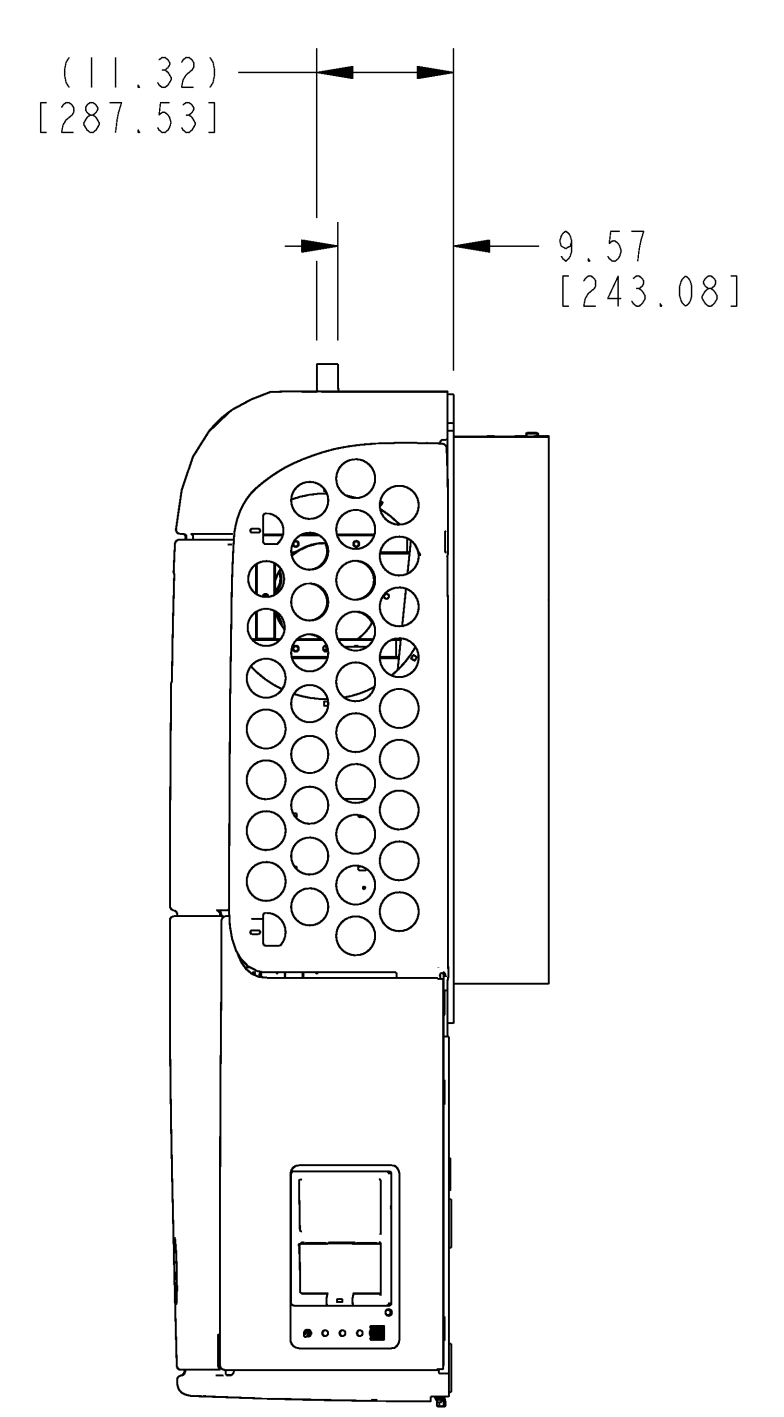
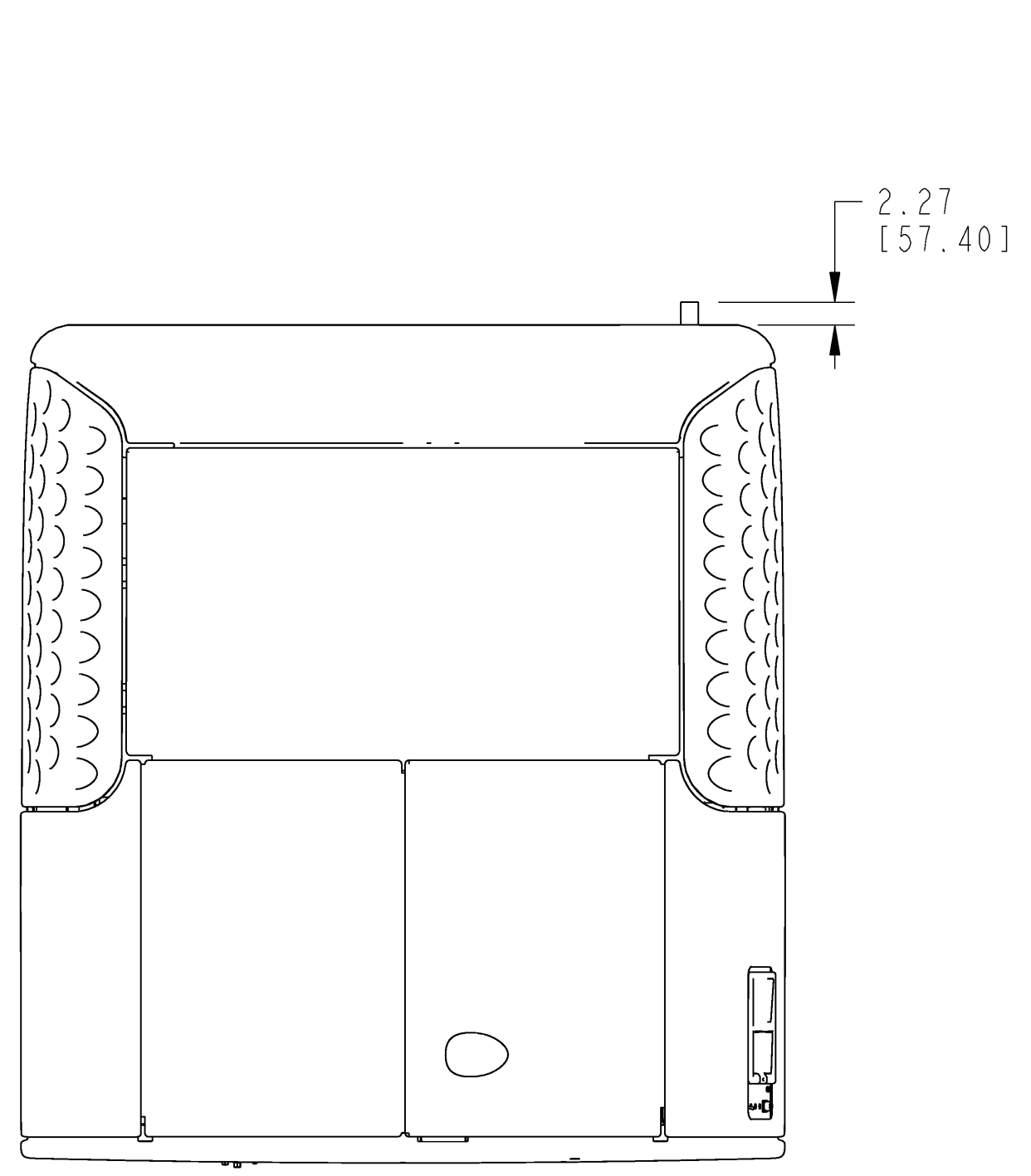
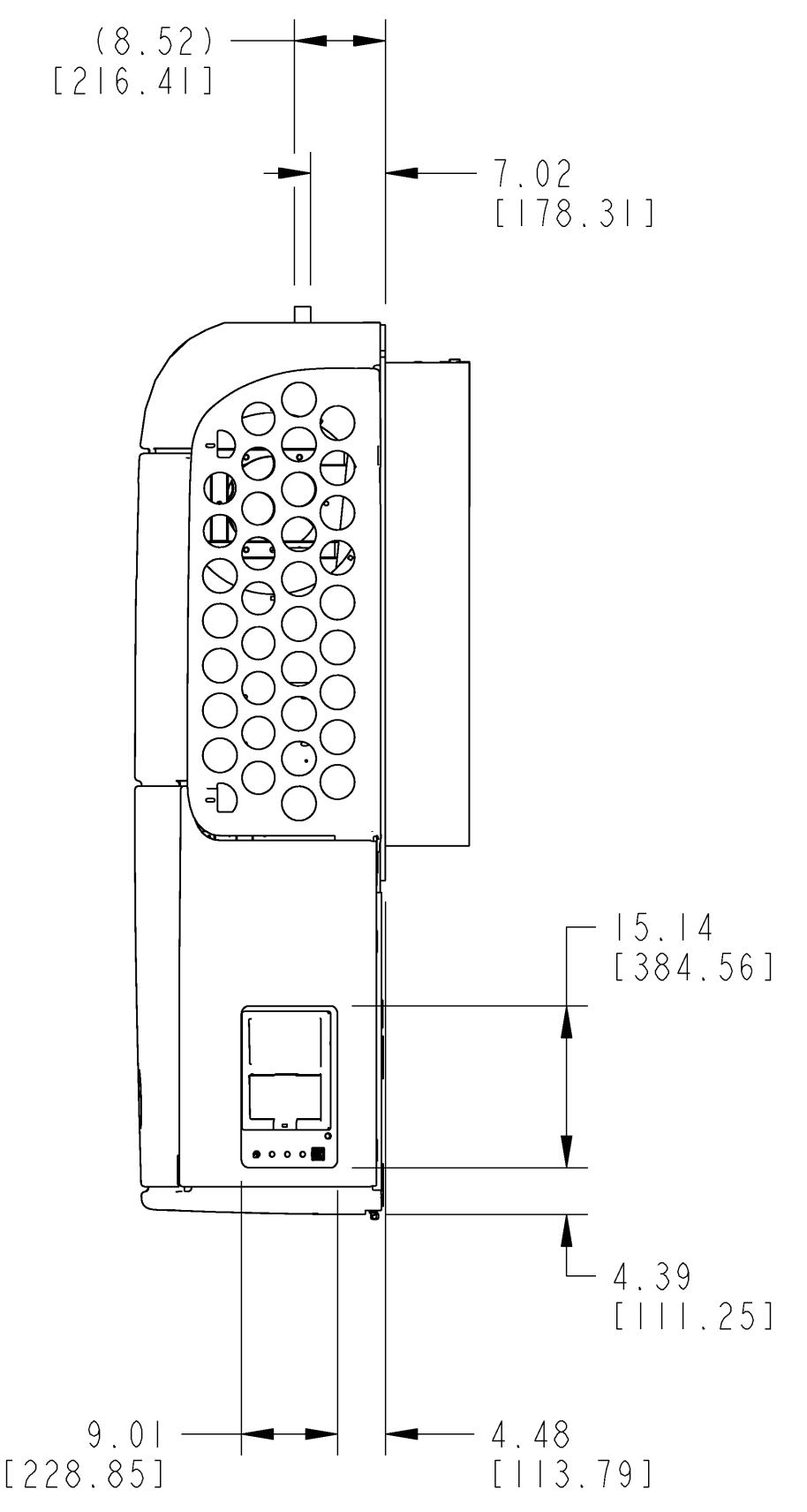
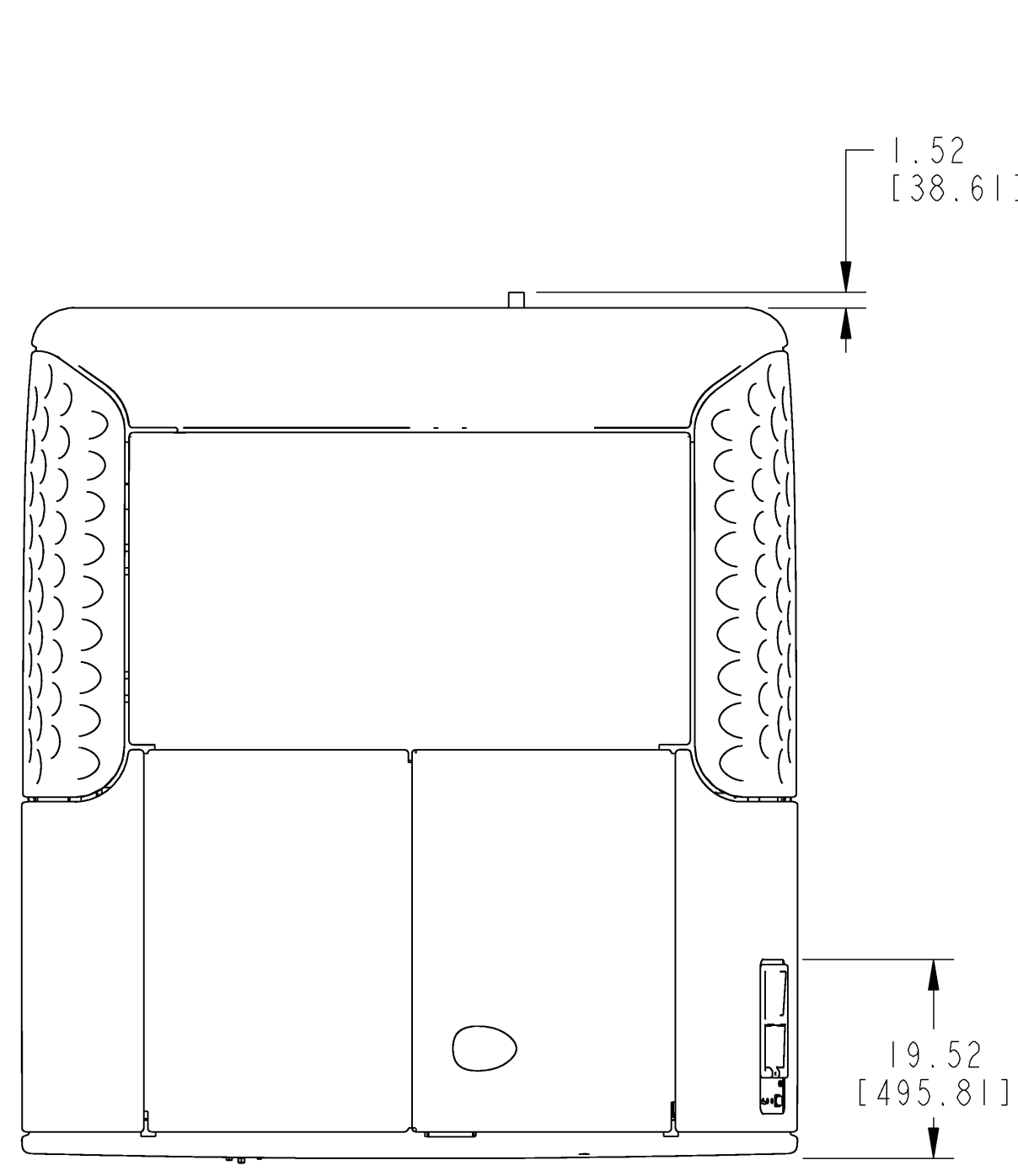
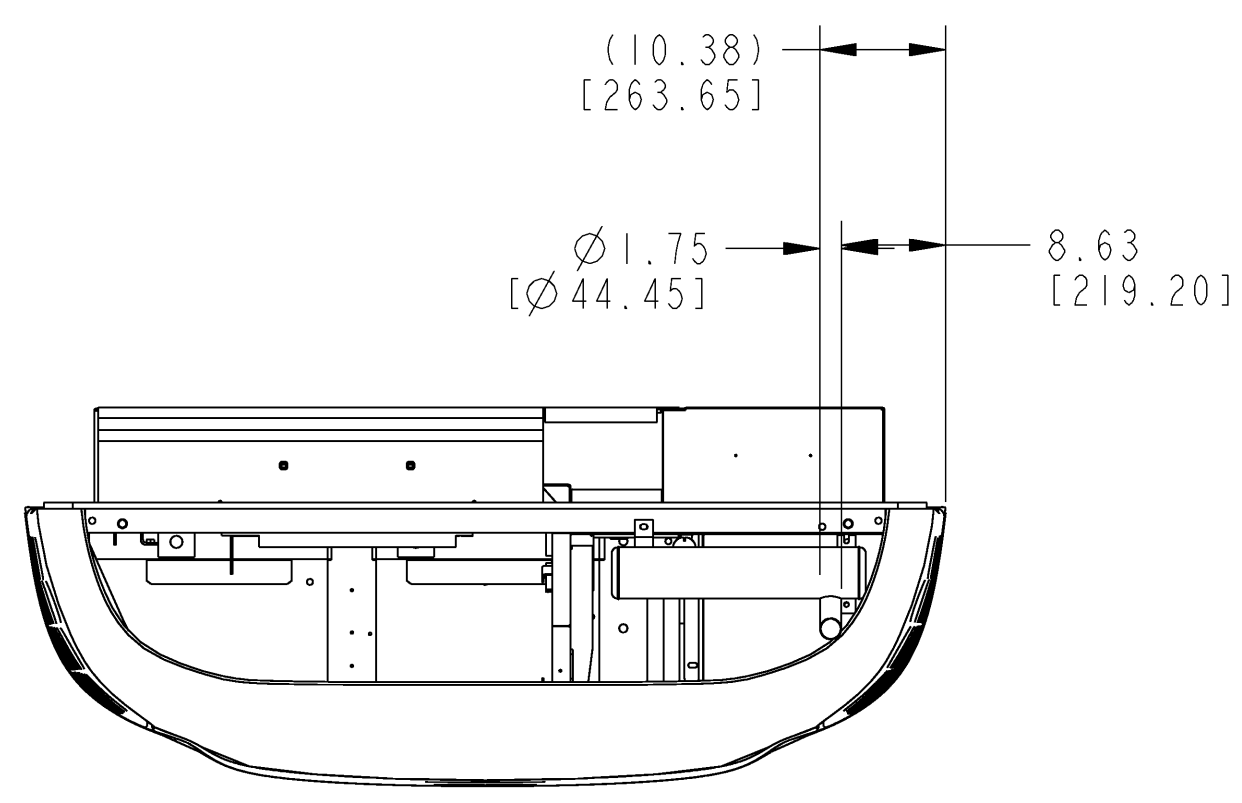
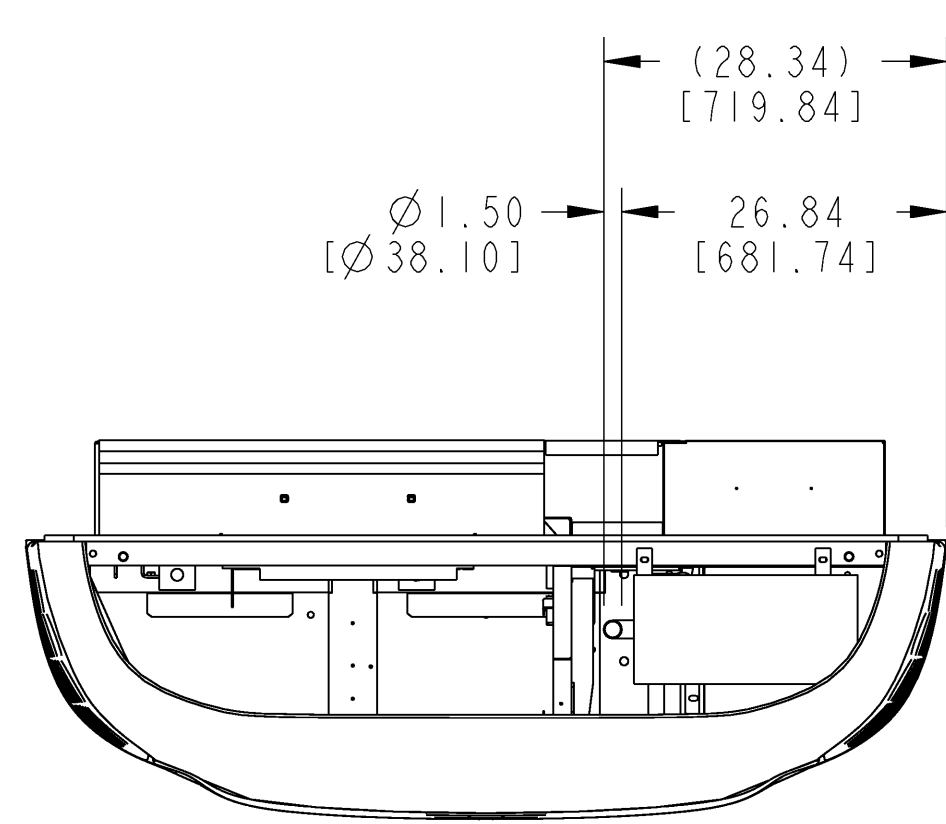


OUTLINE
DRAWING
SB100 - SB400



DRAWING NUMBER
REV

CHANGE ORDER		SYM	REVISIONS		DATE	BY	CHK'D	APP
NO.	DESCRIPTION							



VIEWS SHOWING OVAL
STYLE MUFFER

VIEWS SHOWING CIRCULAR
STYLE MUFFER

VIEW SHOWING
FUEL LINE
CONNECTION LOCATION

G05	G04	G03	G02	G01	ITEM NO	PART/DWG NUMBER	REV.	DESCRIPTION	MATERIAL SPEC	WEIGHT
					REV					
LIST OF MATERIAL										
OUTLINE DRAWING										
SB100 - SB400										
SCALE 0.063 SHEET 2 OF 2										
5D54564 E										

THIS DOCUMENT CONTAINS PROPRIETARY INFORMATION OF THE THERMO KING CORPORATION. IT IS TRANSMITTED TO YOU IN CONFIDENCE AND TRUST, AND IS TO BE RETURNED UPON REQUEST. ITS CONTENTS MAY NOT BE DISCLOSED IN WHOLE OR IN PART TO OTHERS OR USED FOR OTHER THAN THE PURPOSE FOR WHICH TRANSMITTED WITHOUT THE PRIOR WRITTEN PERMISSION OF THERMO KING CORPORATION.

© THERMO KING CORPORATION

FOR TOLERANCES NOT SPECIFIED SEE TKS09-109 TKS11-131

THIRD ANGLE PROJECTION

LIMITS NOT ACCUMULATIVE OVER A CONTINUOUS LINE OF DIMENSIONS

DRAWING CONFORMS TO ANSI Y14.5M-1982

DESIGN DIMENSIONS ARE IN INCHES DIMENSIONS IN () ARE MILLIMETRE EQUIVALENT

FINISH NONE

DRAWN -

CHECKED -

APPROVED -

APPROVED -

THIS PRINT SUPERSEDES ANY OF EARLIER DATE DESTROY SAME



DRAWING NUMBER 5D54564

REV E