

REVISIONS				
CHANGE ORDER	REV	DESCRIPTION	DATE	APPROVED
510407	A	RELEASED	29-Aug-07	TG
519884	B	ADDED VIEW "F" ADDED DETAIL VIEW "G" & "H" IN SHEET 2 DIM 1505 WAS 1503, DIM 265 WAS 263.47, DIM 42 WAS 41.76, DIM 1238.6 WAS 1241	06-Feb-08	DJB

NOTES:

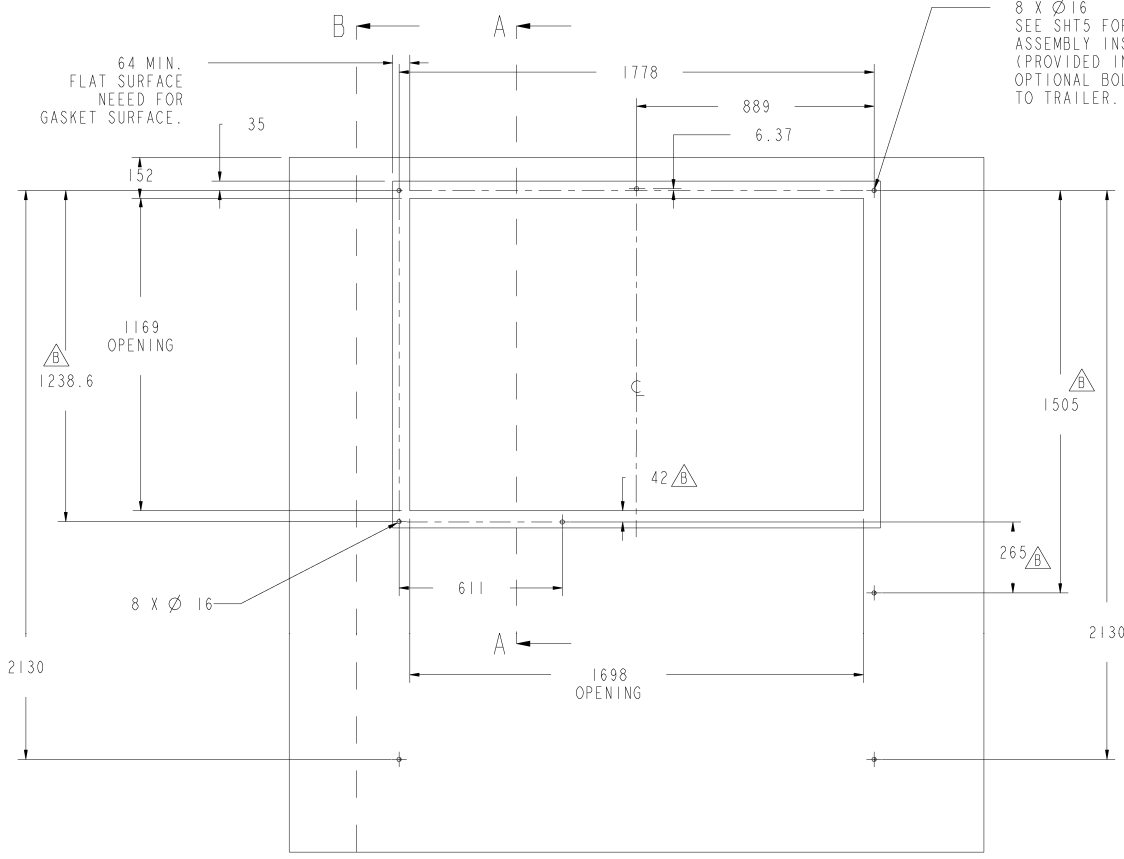
- 1.) EURO-TRAILER: 102 MM TOTAL FRONT WALL AND RETURN DEPTH REQ'D FOR 33 PALLET LOAD IN 13610 MM LONG EURO-TRAILER.
- 2.) MOUNTING BOLT SPECIFICATIONS  
 METRIC -- M12 X 1.75 PITCH, CLASS 8.8  
 US--1/2 X 13 UNC-2B (ROLLED THREAD) GRADE 5  
 MEDIUM CARBON STEEL (PROPERTIES EQUAL TO CLASS 8.8 OR US -- GRADE 5), TENSILE STRENGTH 800 NEWTONS PER MILLIMETER SQUARED / US--120,000 PSI. FINISH TO BE CADMIUM PLATE & DICHROMATE .005 MM (.0002) MIN. THICKNESS AND HARDNESS RC 23-30.
- 3.) MOUNTING BOLTS TO BE SECURELY FASTENED IN THE TRAILER FRONT WALL IN SUCH A MANNER THAT THE MOUNTING NUTS MAY BE PROPERLY TORQUED TO 75 NEWTON METERS (US--60FT. LBS.) FROM OUTSIDE OF TRAILER. BOLTS MUST BE PERPENDICULAR TO TRAILER WALL.
- 4.) INSTALLATION DRAWINGS SHOW CERTAIN TRAILER STRUCTURAL DETAILS ONLY TO THE EXTENT THAT THEY RELATE TO MOUNTING THE THERMO KING UNIT. THESE DETAILS ARE NOT RECOMENDATIONS, NOR DO THEY CONVEY ENDORSEMENT OR WARRANTY BY THERMO KING FOR THE STRUCTURAL INTEGRITY OF THE TRAILER.
- 5.) TRAILER FRONT WALL TO BE STRUCTURALLY STRONG ENOUGH TO SUPPORT WEIGHT OF REFRIGERATION UNIT.  
 SLX 30 792 KG.  
 SLX 50 846 KG.
- 6.) IF AN AIR SYSTEM IS USED , AN ACCESS AREA IN THE DUCT MUST BE PROVIDED TO THE EVAPORATOR FOR SERVICING EVAPORATOR COMPONENTS. NO PART OF THE DUCT SYSTEM SHOULD BE PERMANENTLY FASTENED TO THE UNIT SINCE THIS COULD INTERFERE WITH UNIT REMOVAL.

GOI	ITEM NO	PART/DWG NUMBER	REV	DESCRIPTION	MATL SPEC	MATL QTY
				LIST OF MATERIAL		

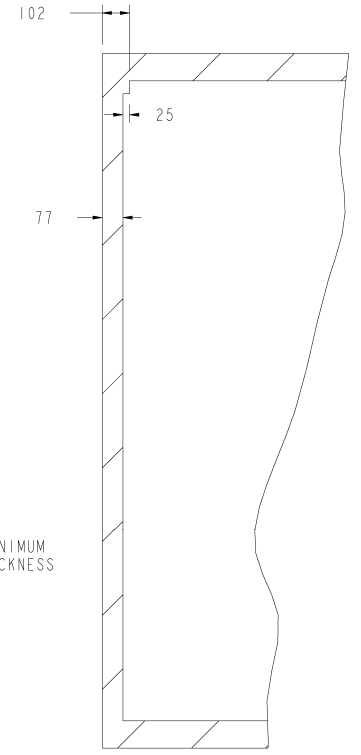
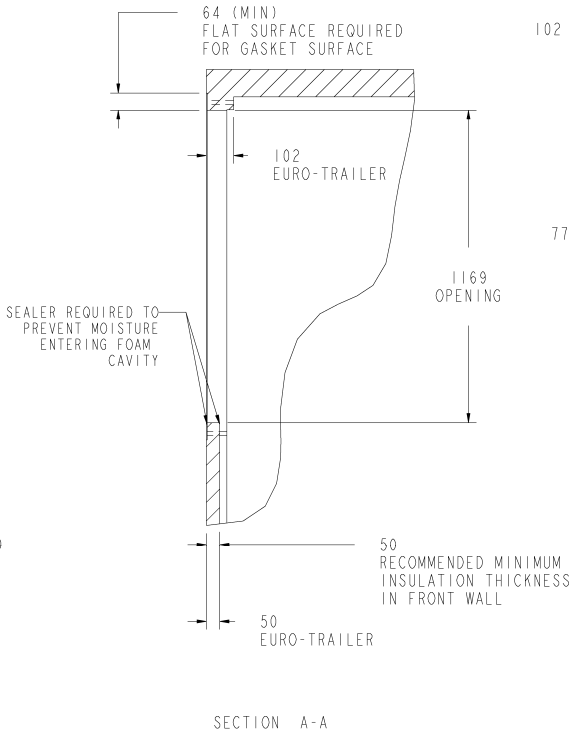
INGERSOLL-RAND IS THE SOLE OWNER OF THIS DRAWING AND ALL INFORMATION IN IT, WHICH ARE PROTECTED BY COPYRIGHT AND OTHER LAWS AND MAY BE SUBJECT TO LAWS REGARDING EXPORTING INFORMATION OUTSIDE OF THE U.S. THIS DRAWING MAY BE USED ONLY BY ITS RECIPIENTS FOR THE PURPOSE FOR WHICH IT IS PROVIDED AND ONLY BY THE RECIPIENT WHO AGREES THAT IT WILL NOT, WITHOUT INGERSOLL-RAND'S PRIOR WRITTEN PERMISSION, BE DISCLOSED NOR USE THIS DRAWING OR THE INFORMATION IN IT EXCEPT AS SPECIFIED ABOVE. OR 2) MAKE ANY COPIES OF OR EXTRACTS, REVISIONS, OR UPDATES FROM THE DRAWING. ALL COPIES MUST BE RETURNED TO INGERSOLL-RAND UPON COMPLETION OF THE WORK FOR WHICH THEY HAVE BEEN PROVIDED OR UPON ANY EARLIER REQUEST.		UNLESS OTHERWISE SPECIFIED DIMENSIONS ARE IN MM. INTERPRET DIM AND TOL PER ASME Y14.5M - 1994		CAD GENERATED DRAWING. DO NOT MANUALLY UPDATE UNLESS OTHERWISE SPECIFIED TOLERANCES OR DIMENSIONS PER THERMO KING				
THIRD ANGLE PROJECTION 		DRAWN TG 16-Jul-07	DATE 16-Jul-07	TITLE INSTALLATION DWG EURO TRAILER SLX				
FINISH -		CHECKED DJB 16-Jul-07	APPROVED DJB 16-Jul-07	SIZE A1	CODE 	IDENT NO 	DWG NO IE39533	REV B
				SCALE 0.100	SHEET 1 OF 5			

12 11 10 9 8 7 6 5 4 3 2 1

H G F E D C B A



8 X Ø 16  
SEE SHT5 FOR MOUNTING BOLT  
ASSEMBLY INSTALLATION  
(PROVIDED IN KIT) OR FOR  
OPTIONAL BOLT MOUNTED  
TO TRAILER.



TRAILER OPENING MUST BE SQUARE.  
DIAGONAL DIMENSIONS MUST BE  
WITHIN ± 3.0

**IMPORTANT:**

LOCATION OF UNIT MOUNTING BOLTS AND OPENINGS IN TRAILER FRONT WALL ARE CRITICAL. DIMENSIONS MUST BE MAINTAINED AS SHOWN. FRONT WALL SURFACE AT ALL MOUNTING LOCATIONS MUST BE FLAT SURFACE PLANE WITHIN 64 MM.

UNIT MOUNTING BOLTS (8 LOCATIONS) M12 X 1.75 PITCH (METRIC) OR 1/2 X 1/3 UNC-2B (IMPERIAL) TO EXTEND 60 MM BEYOND FRONT WALL. 2 X MOUNTING BOLTS BEHIND THE CONTROL BOX CAN BE ACCESSED BY SWINGING OPEN THE ENTIRE CONTROL BOX. THIS MOUNTING BOLT SHOULD BE CUT TO LENGTH.

BOLTS FURNISHED AND INSTALLED BY TRAILER BUILDER. 'T' BOLTS & NUTS SUPPLIED WITH EU INSTALLATION KITS MAY BE USED IF TRAILER BUILDER DOES NOT SUPPLY UNIT MOUNTING BOLTS.

		SIZE	CODE IDENT NO	DWG NO	REV
		A1		IE39533	B
SCALE 0.100				SHEET 2 OF 5	

12 11 10 9 8 7 6 5 4 3 2 1

H G F E D C B A

H G F E D C B A

12 11 10 9 8 7 6 5 4 3 2 1

H

H

G

G

F

F

E

E

D

D

C

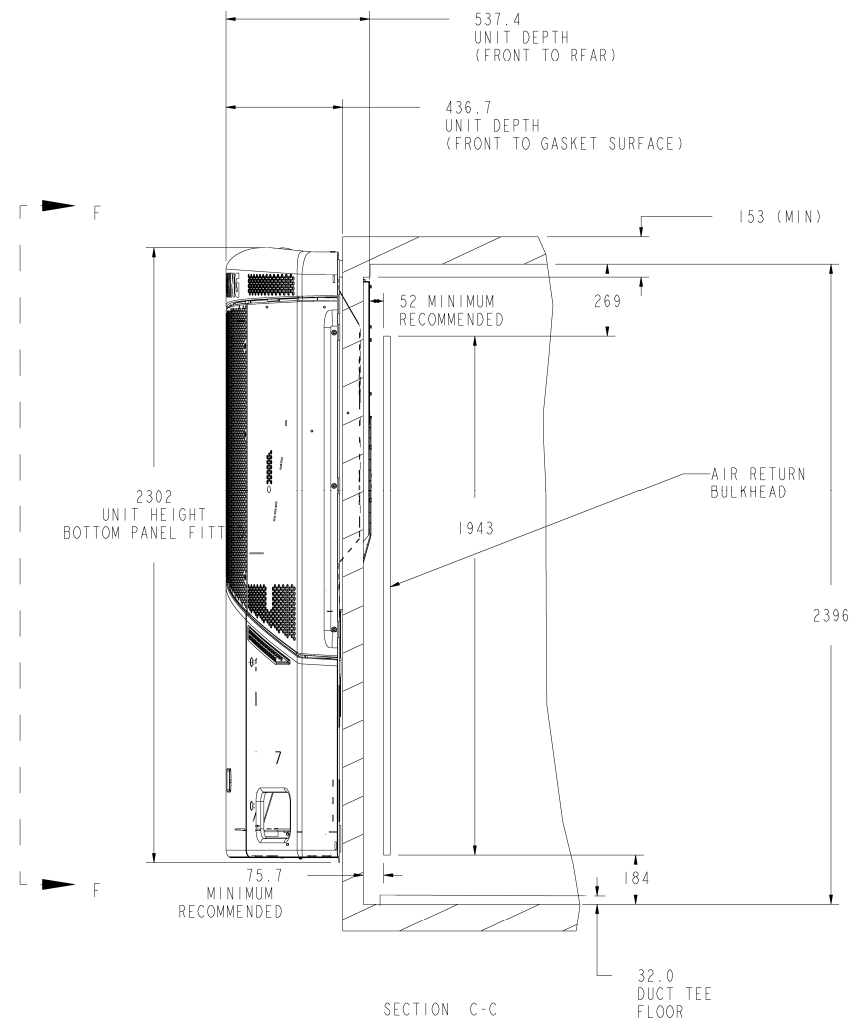
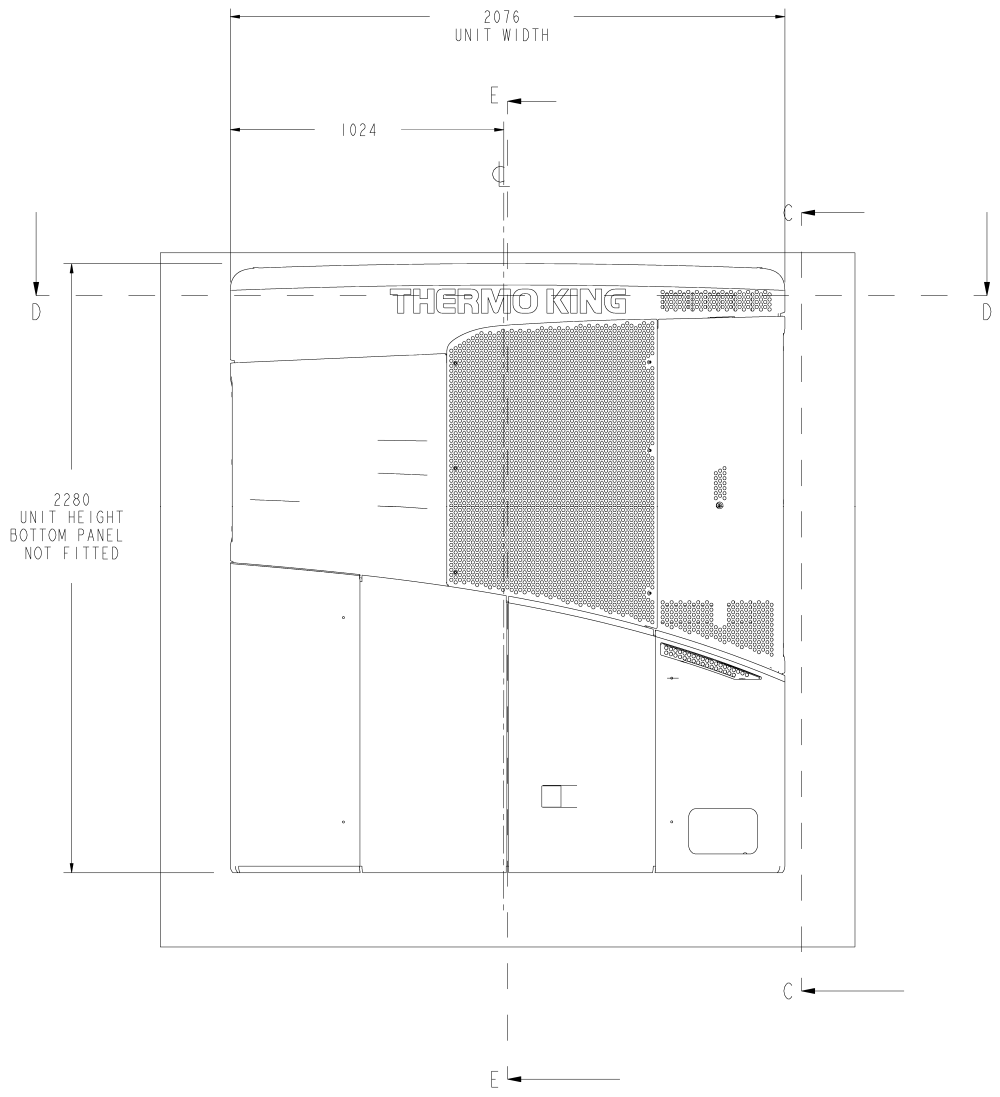
C

B

B

A

A

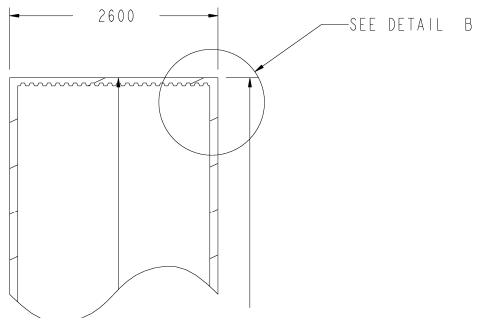


<b>IR Ingersoll Rand.</b> Thermo King			
SIZE	CODE IDENT NO	DWG NO	REV
A1		IE39533	B
SCALE 0.100		SHEET 3 OF 5	

12 11 10 9 8 7 6 5 4 3 2 1

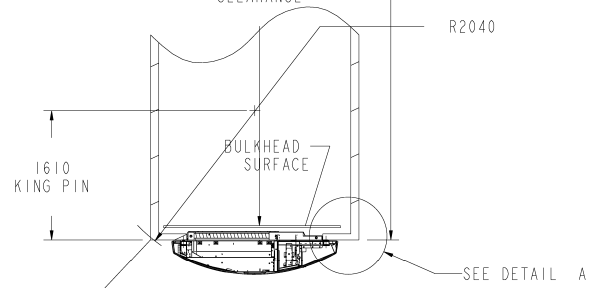
12 11 10 9 8 7 6 5 4 3 2 1

H G F E D C B A



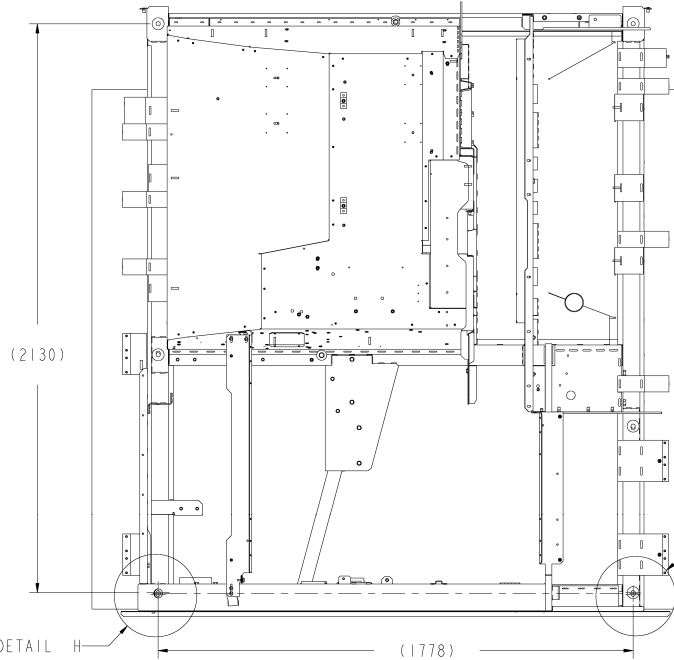
(33 EURO-PALLETS PLUS STACKING CLEARANCE

13610

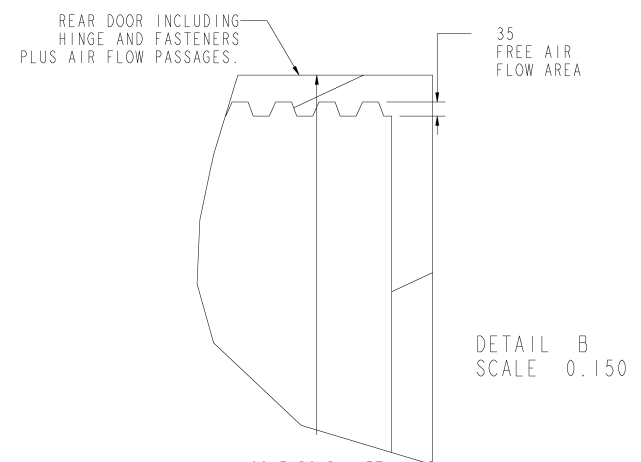


SECTION D-D  
SCALE 0.030

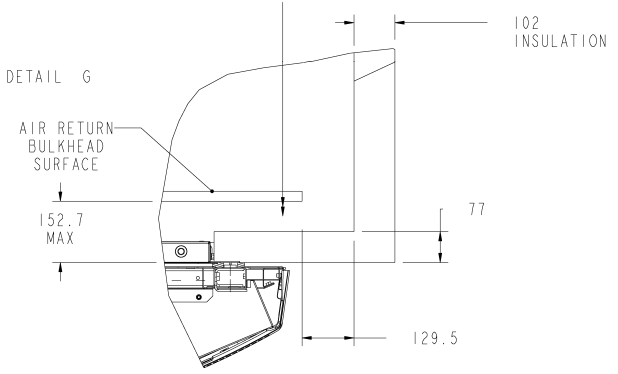
ON SOME TRAILERS IT MAY BE NECESSARY TO RELOCATE THE FRONT CORNER CLEARANCE LIGHTS FROM BEHIND UNIT TOP COVER. LIGHTS MAY BE MONTED IN CORNER RADIUS ON TRAILER.



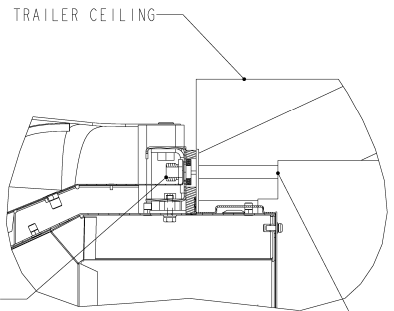
VIEW F-F  
SCALE 0.100



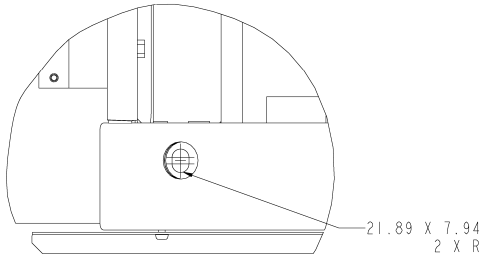
DETAIL B  
SCALE 0.150



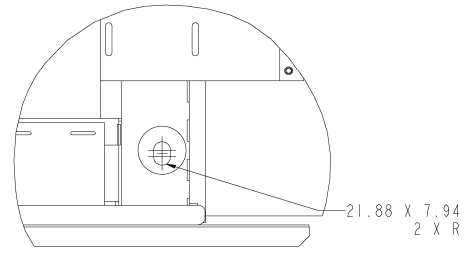
DETAIL A  
SCALE 0.150



SECTION E-E



DETAIL H  
SCALE 0.400



DETAIL G  
SCALE 0.400

<b>IR Ingersoll Rand</b> Thermo King				
SIZE	CODE	IDENT NO	DWG NO	REV
A1			IE39533	B
SCALE 0.100			SHEET 4 OF 5	

12 11 10 9 8 7 6 5 4 3 2 1

12 11 10 9 8 7 6 5 4 3 2 1

H

H

G

G

F

F

E

E

D

D

C

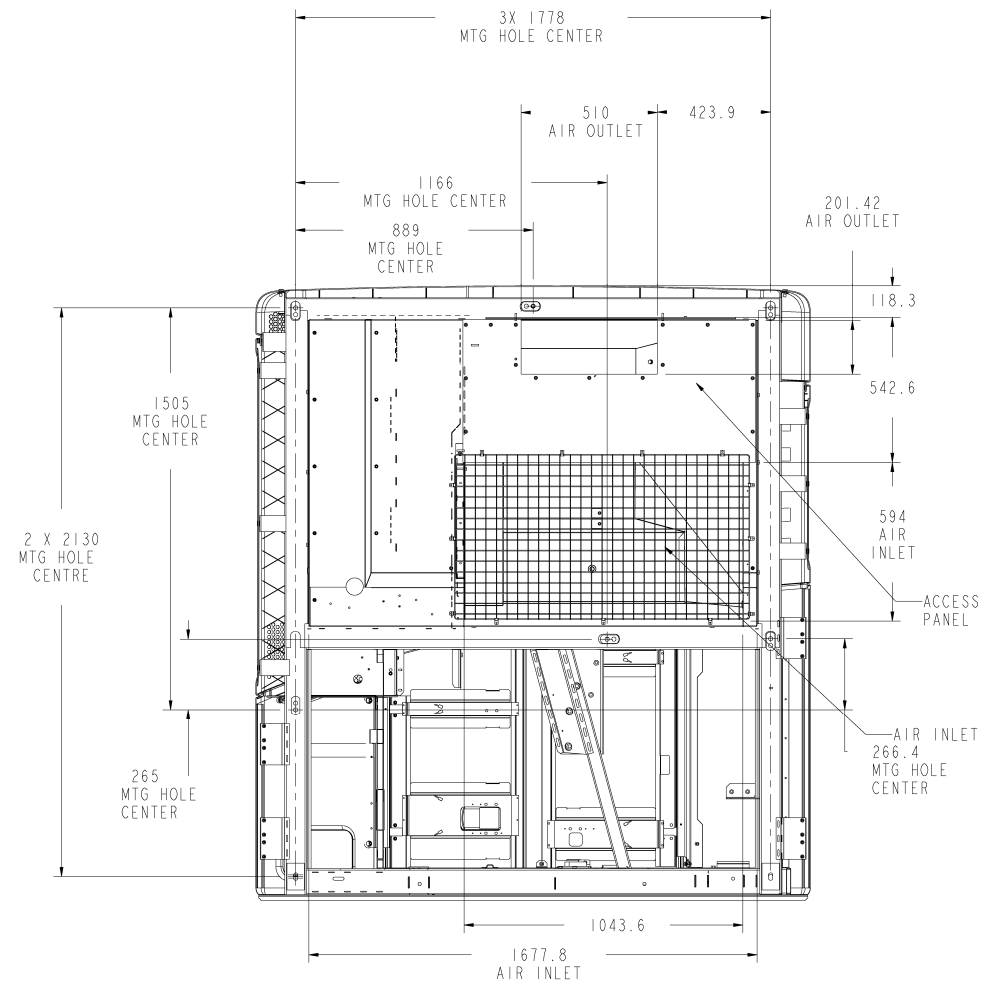
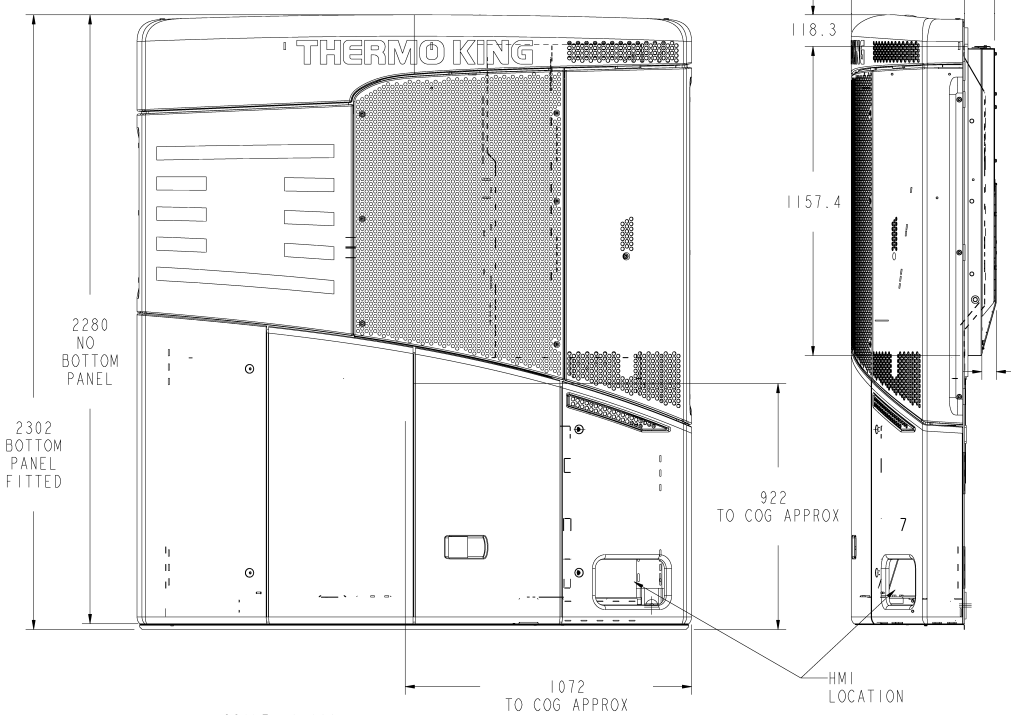
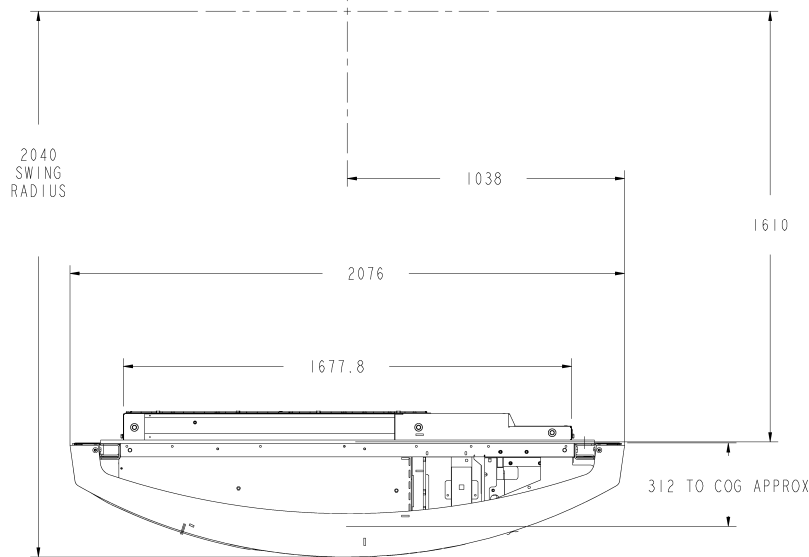
C

B

B

A

A



		SIZE	CODE	IDENT NO	DWG NO	REV
		A1			IE39533	B
SCALE 0.100						SHEET 5 OF 5

12 11 10 9 8 7 6 5 4 3 2 1