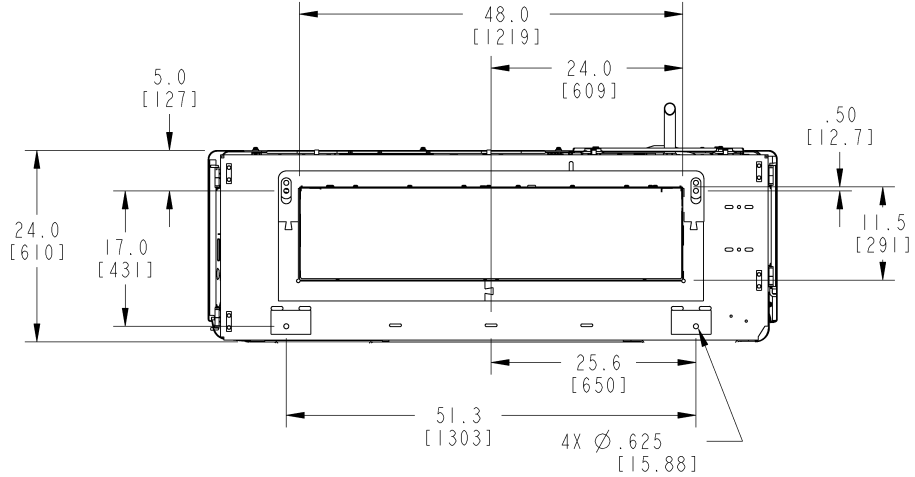
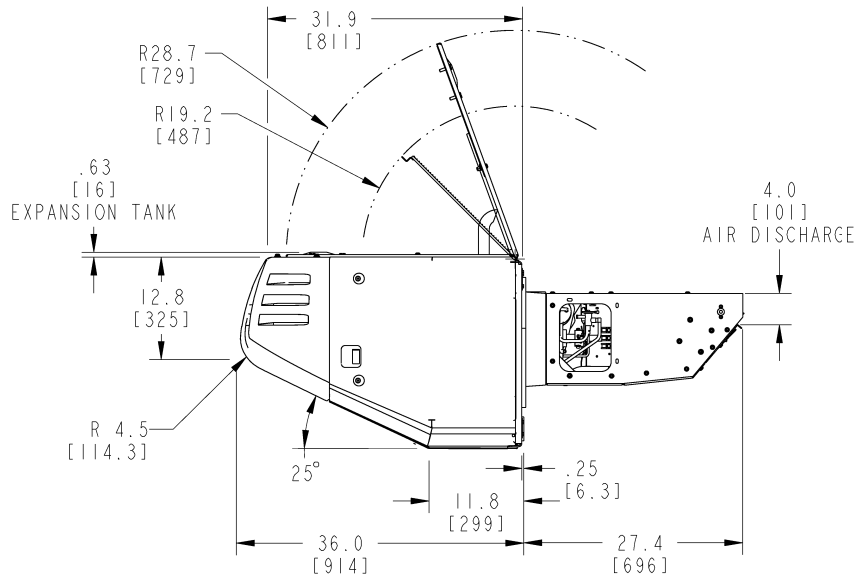
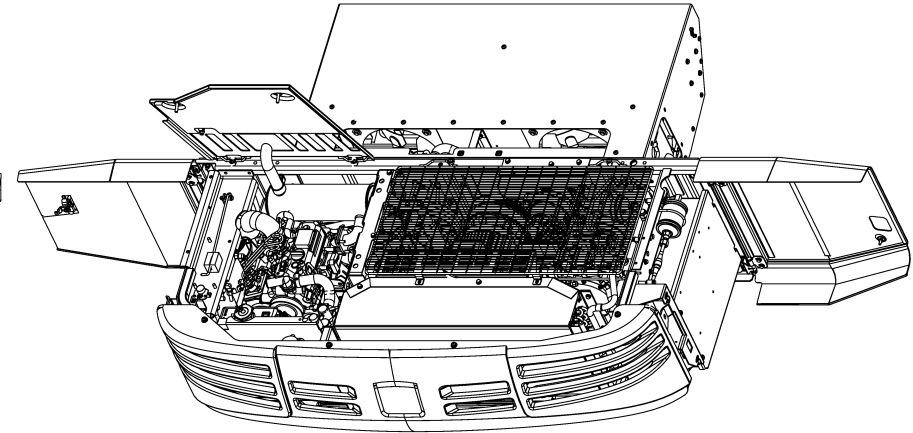
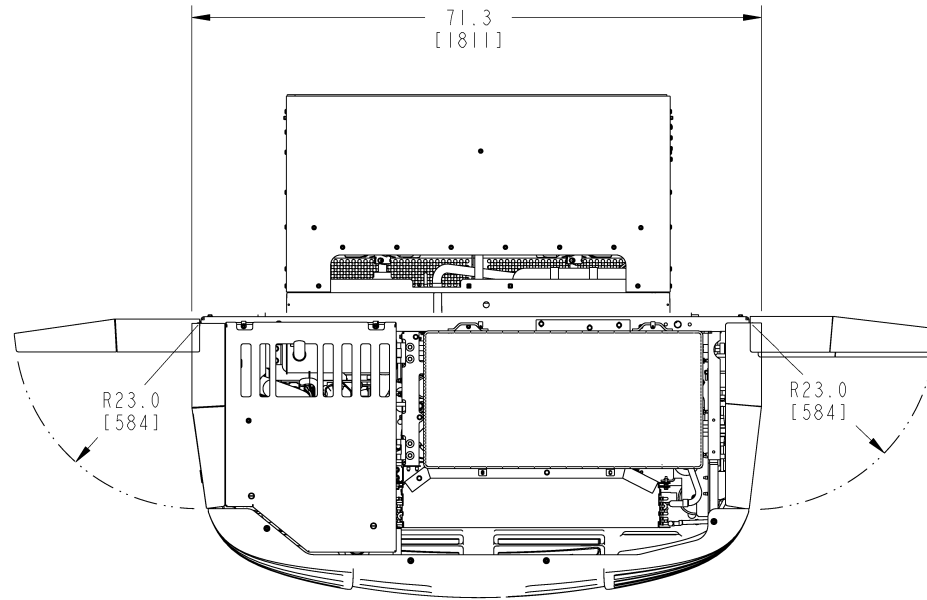


REVISIONS						
CHANGE ORDER	SYM	DESCRIPTION	DATE	BY	CHK'D	APP
508049	A	RELEASED	11-JAN-05	JDC	JDC	-
514003	B	TITLE TS200/300-TS200e/300e WAS TS200/TS300	24-OCT-06	JDC	JDC	-



G05	G04	G03	G02	G01	ITEM NO	PART/DWG NUMBER	REV.	DESCRIPTION	MATERIAL SPEC	WEIGHT
					REV			LIST OF MATERIAL		
					DRAWN	JDC	DATE	4-Oct-04		
					CHECKED	-				
					APPROVED	-				
					APPROVED	-				
					FINISH	NONE				
					THIS PRINT SUPERSEDES ANY OF EARLIER DATE DESTROY SAME					
					DRAWING SCALE		SHEET	1 OF 1		
									1E28623	B

THERMO KING PROPRIETARY DATA
 THIS DOCUMENT CONTAINS PROPRIETARY INFORMATION OF THE THERMO KING CORPORATION. IT IS TRANSMITTED TO YOU IN CONFIDENCE AND TRUST, AND IS TO BE RETURNED UPON REQUEST. ITS CONTENTS MAY NOT BE DISCLOSED IN WHOLE OR IN PART TO OTHERS OR USED FOR OTHER THAN THE PURPOSE FOR WHICH TRANSMITTED WITHOUT THE PRIOR WRITTEN PERMISSION OF THERMO KING CORPORATION.
 © THERMO KING CORPORATION

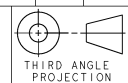


DIAGRAM OUTLINE
 TS200/300-
 TS200e/300e



DRAWING NUMBER	REV
1E28623	B