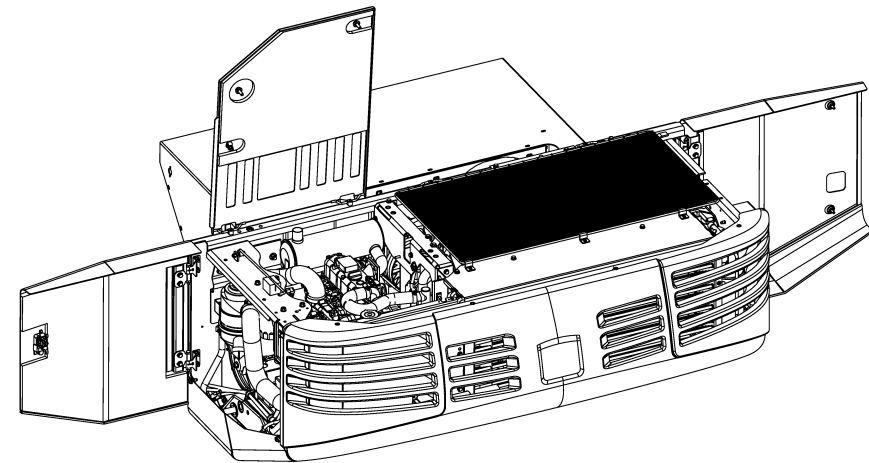
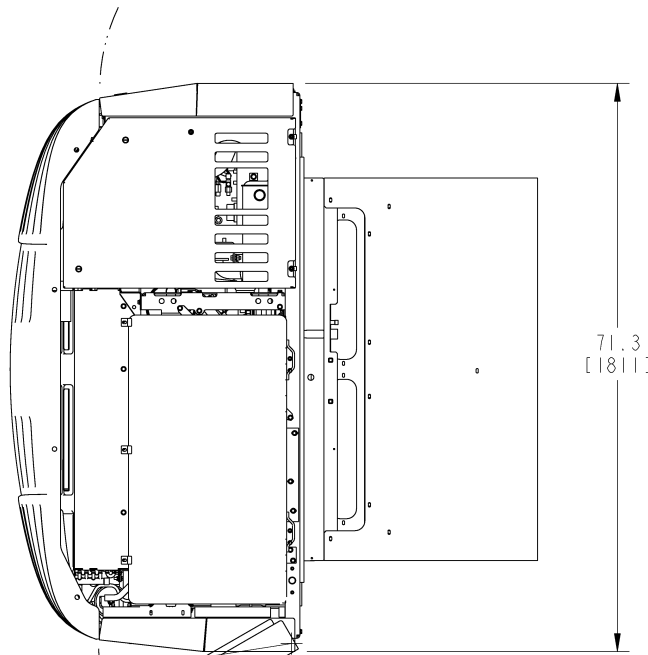
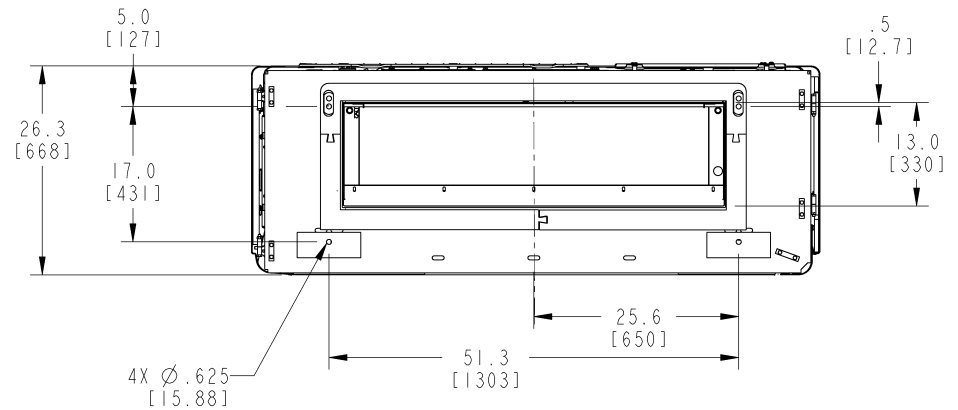
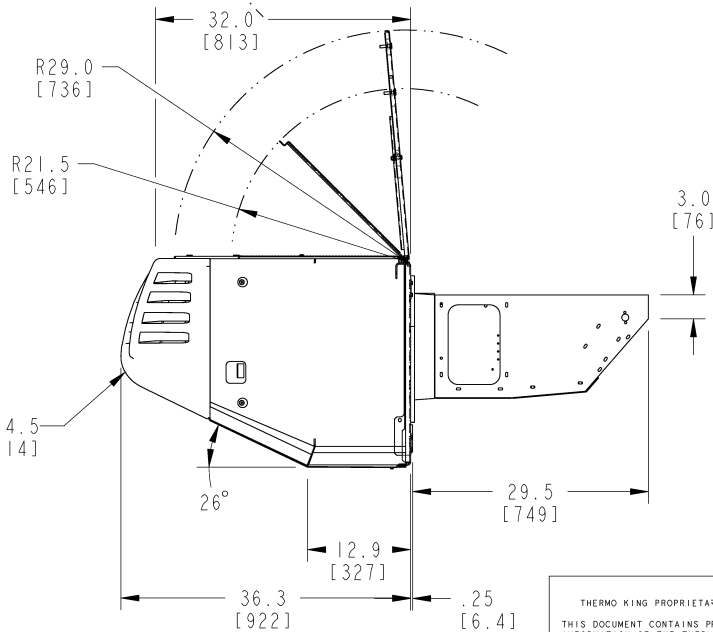


REVISIONS						
CHANGE ORDER	SYM	DESCRIPTION	DATE	BY	CH'D	APP
508049	A	RELEASED	11-JAN-05	JDC	JDC	-
514003	B	TITLE TS500/600-TS500e/600e WAS TS500/TS600	24-OCT-06	JDC	JDC	-



2X R24.2  
[614]



4X Ø.625  
[15.88]

THIS DOCUMENT CONTAINS PROPRIETARY INFORMATION OF THE THERMO KING CORPORATION. IT IS TRANSMITTED TO YOU IN CONFIDENCE AND TRUST, AND IS TO BE RETURNED UPON REQUEST. ITS CONTENTS MAY NOT BE DISCLOSED IN WHOLE OR IN PART TO OTHERS OR USED FOR OTHER THAN THE PURPOSE FOR WHICH TRANSMITTED WITHOUT THE PRIOR WRITTEN PERMISSION OF THERMO KING CORPORATION.

© THERMO KING CORPORATION

G05	G04	G03	G02	G01	ITEM NO	PART/DWG NUMBER	REV.	DESCRIPTION	MATERIAL SPEC	WEIGHT
					REV			LIST OF MATERIAL		
					DRAWN	JDC	DATE	26-May-99		
					CHECKED	-				
					APPROVED	-				
					APPROVED	-				
					THIS PRINT SUPERSEDES ANY OF EARLIER DATE DESTROY SAME					
					FINISH	NONE				
					DRAWING SCALE		SHEET 1 OF 1			
									1E28625	B

DIAGRAM OUTLINE  
TS500/600-  
TS500e/600e



DRAWING NUMBER  
1E28625