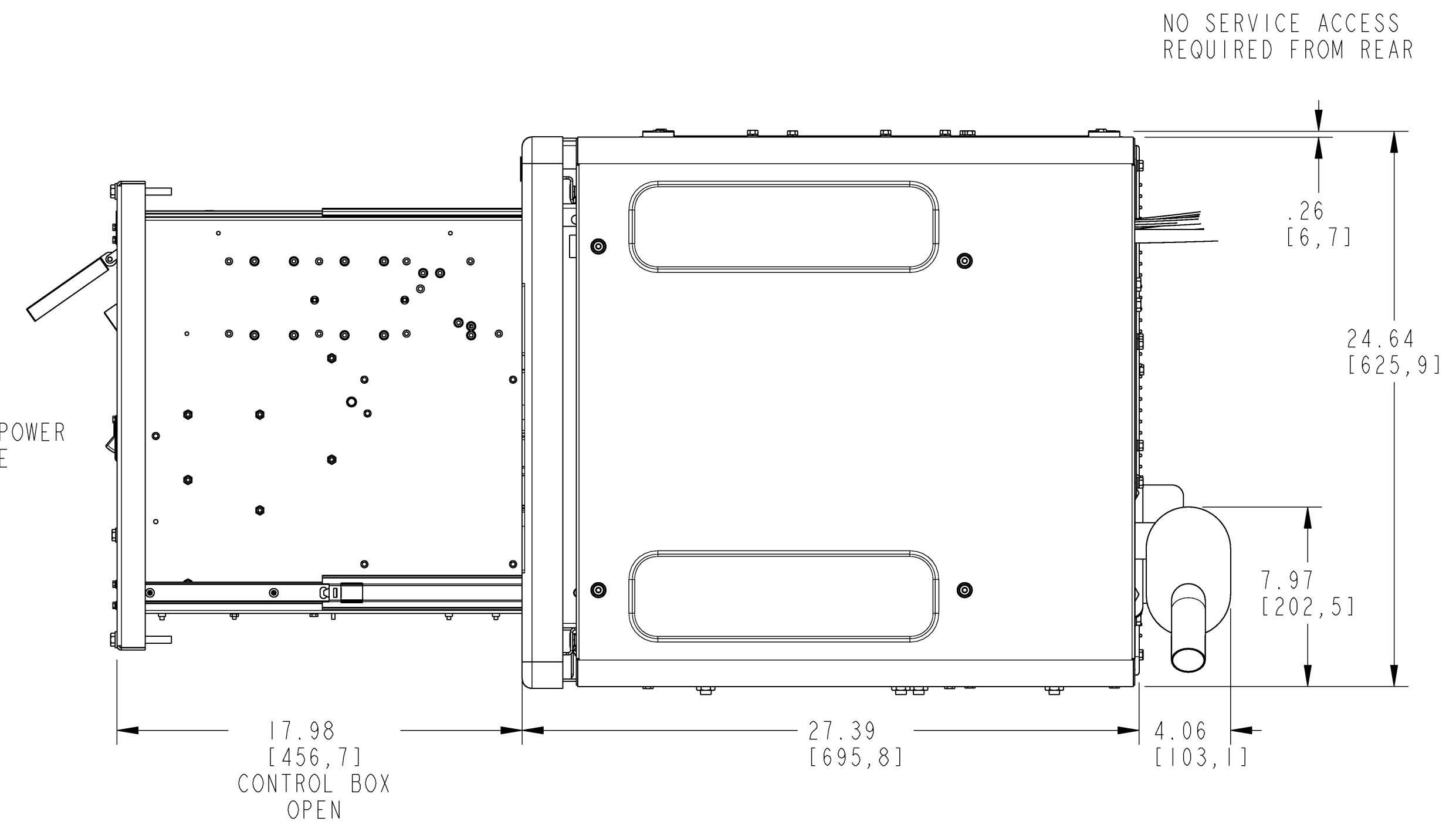
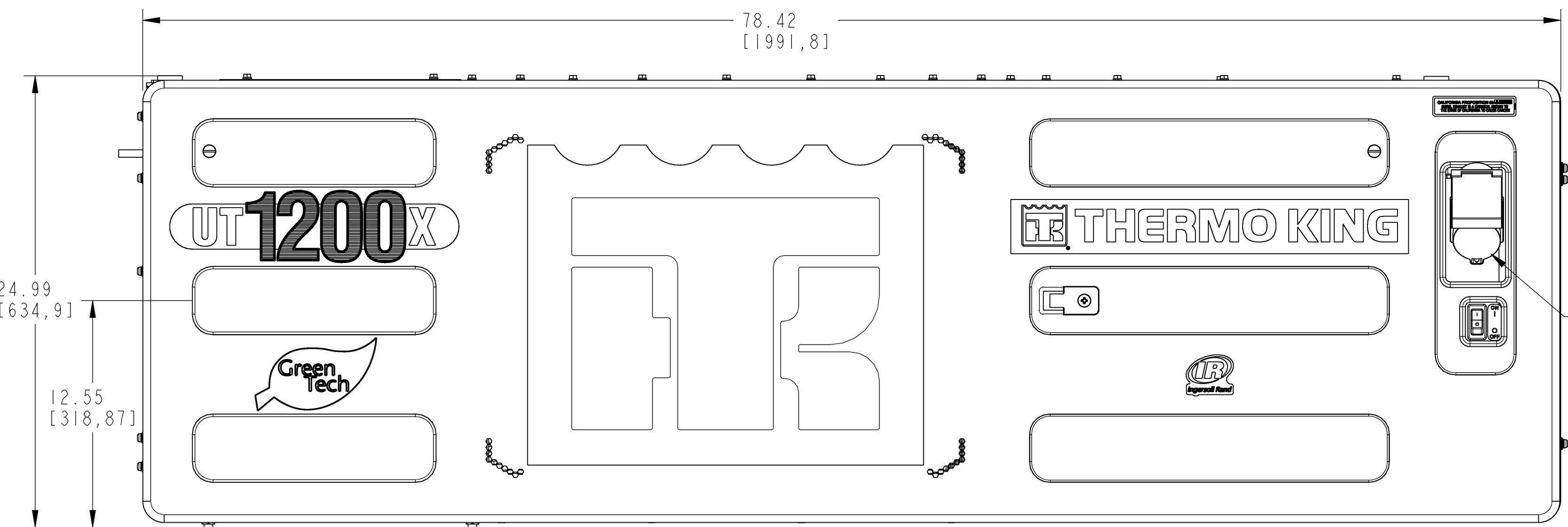
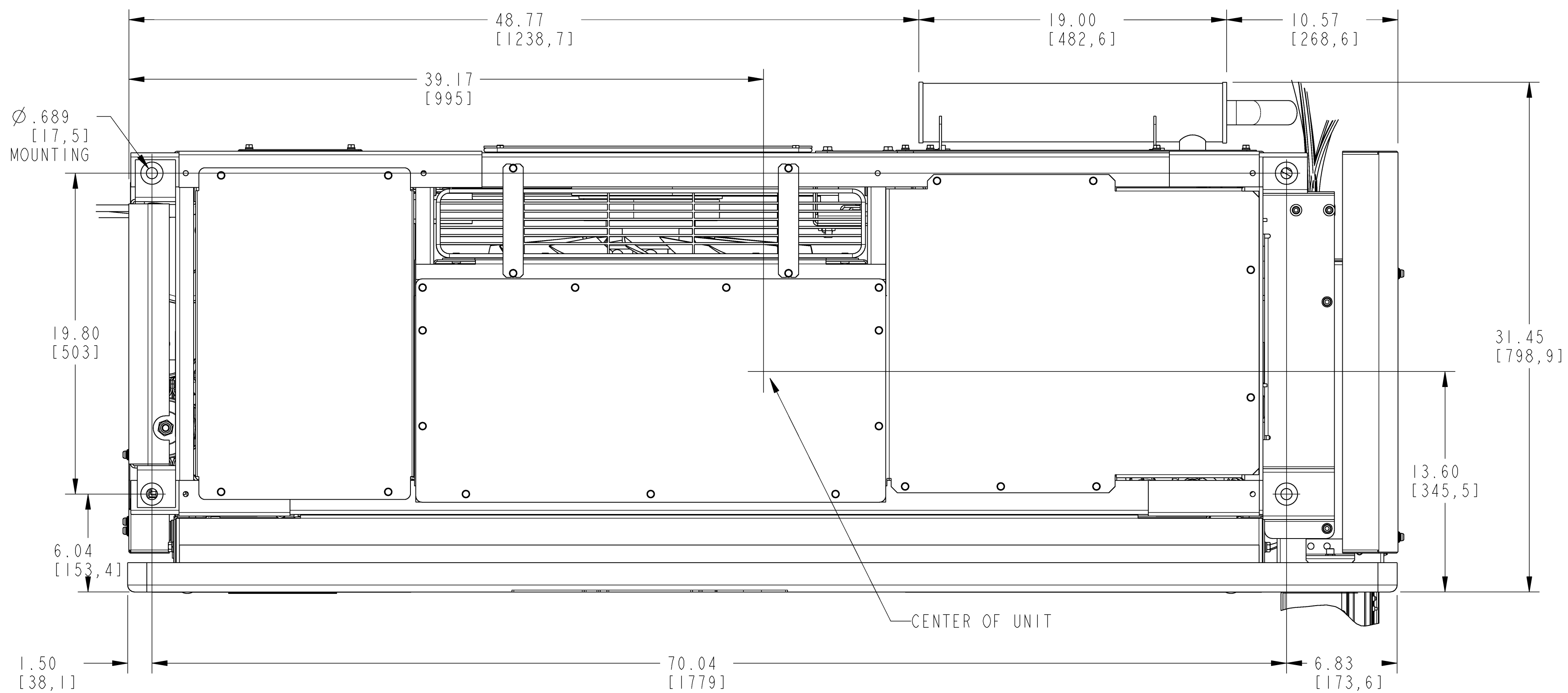


REVISIONS				
CHANGE ORDER	REV	DESCRIPTION	DATE	APPROVED
513043	A	RELEASED	24-JUL-07	KCK
518785	B	UPDATED PER PRO-E MODEL CHANGES.	03-APR-08	KCK
523188	C	UPDATED PER PRO-E MODEL CHANGES.	14-JUL-08	KCK



<p>INGERSOLL-RAND IS THE SOLE OWNER OF THIS DRAWING AND ALL INFORMATION IN IT, WHICH ARE PROTECTED BY COPYRIGHT AND OTHER LAWS AND MAY BE SUBJECT TO LAWS REGARDING EXPORTING INFORMATION OUTSIDE OF THE U.S. THIS DRAWING MAY BE USED ONLY BY ITS RECIPIENTS FOR THE PURPOSE FOR WHICH IT IS PROVIDED AND ONLY BY THE RECIPIENT, WHO AGREES THAT IT WILL NOT, WITHOUT INGERSOLL-RAND'S PRIOR WRITTEN PERMISSION: 1) DISCLOSE NOR USE THIS DRAWING OR THE INFORMATION IN IT EXCEPT AS SPECIFIED ABOVE; OR 2) MAKE ANY COPIES OF OR EXTRACTS, REVISIONS, OR UPDATES FROM THE DRAWING. ALL COPIES MUST BE RETURNED TO INGERSOLL-RAND UPON COMPLETION OF THE WORK FOR WHICH THEY HAVE BEEN PROVIDED OR UPON ANY EARLIER REQUEST.</p>	<p>UNLESS OTHERWISE SPECIFIED DIMENSIONS ARE IN INCHES. INTERPRET DIM AND TOL PER ASME Y14.5M - 1994</p>	<p>CAD GENERATED DRAWING. DO NOT MANUALLY UPDATE</p>	<p>TITLE</p> <p>CONDENSER COMPL LAYOUT EEC UNIT OUTLINE UT-1200X</p>
	<p>THIRD ANGLE PROJECTION</p>	<p>DRAWN JAS DATE 16-FEB-06</p>	<p>SIZE CODE IDENT NO DWG NO</p> <p>D I E37757</p>
		<p>CHECKED JAS DATE 17-JUL-07</p>	<p>REV</p> <p>C</p>
	<p>FINISH</p>	<p>APPROVED KCK DATE 24-JUL-07</p> <p>ENG APPVL</p>	<p>SCALE 0.200</p> <p>SHEET 1 OF 2</p>

8

7

6

5

4

3

2

1

D

D

C

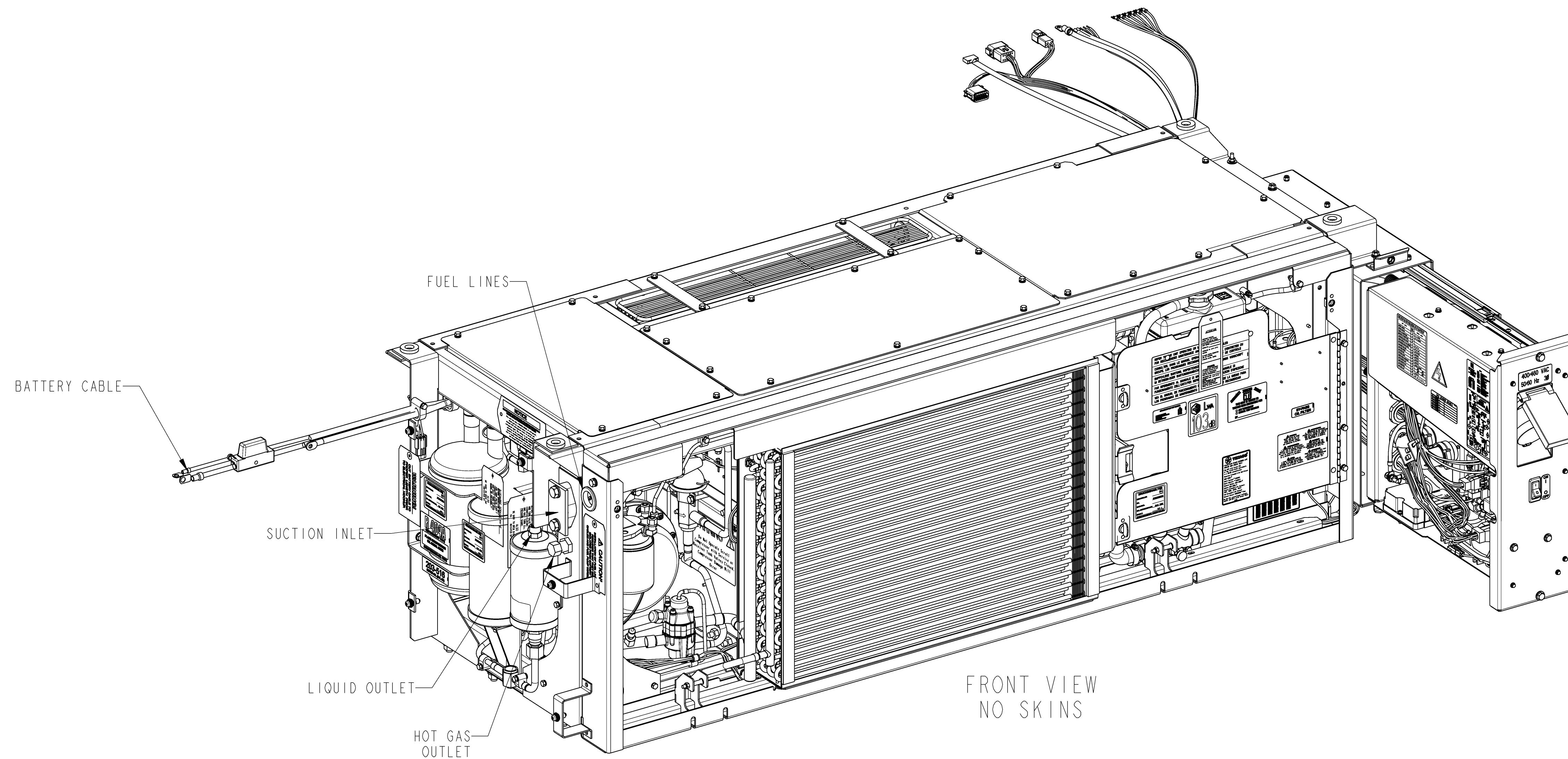
C

B

B

A

A



FRONT VIEW
NO SKINS

SIZE	CODE IDENT NO	DWG NO	REV
D		1E37757	C
SCALE 0.200		SHEET 2 OF 2	