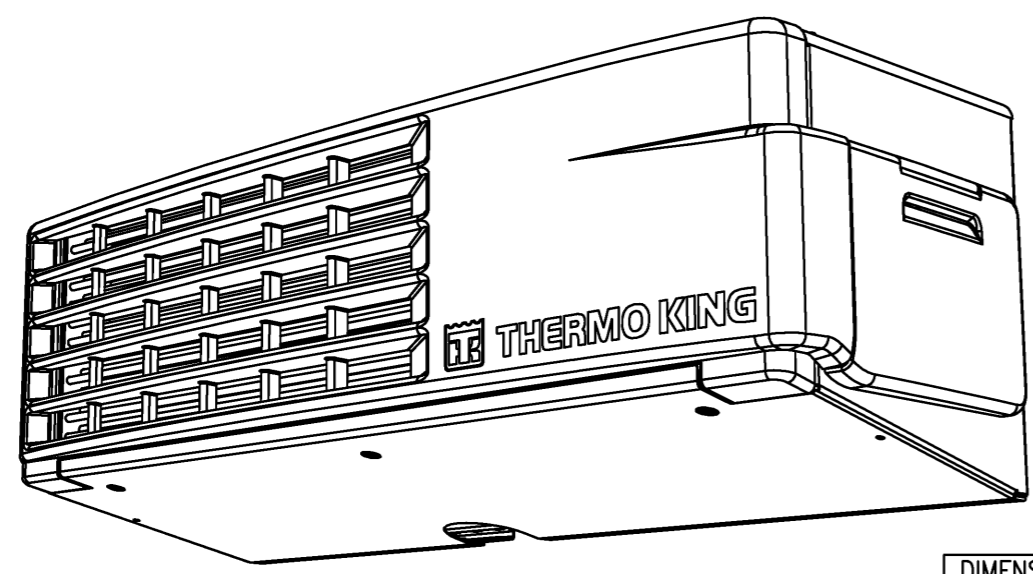
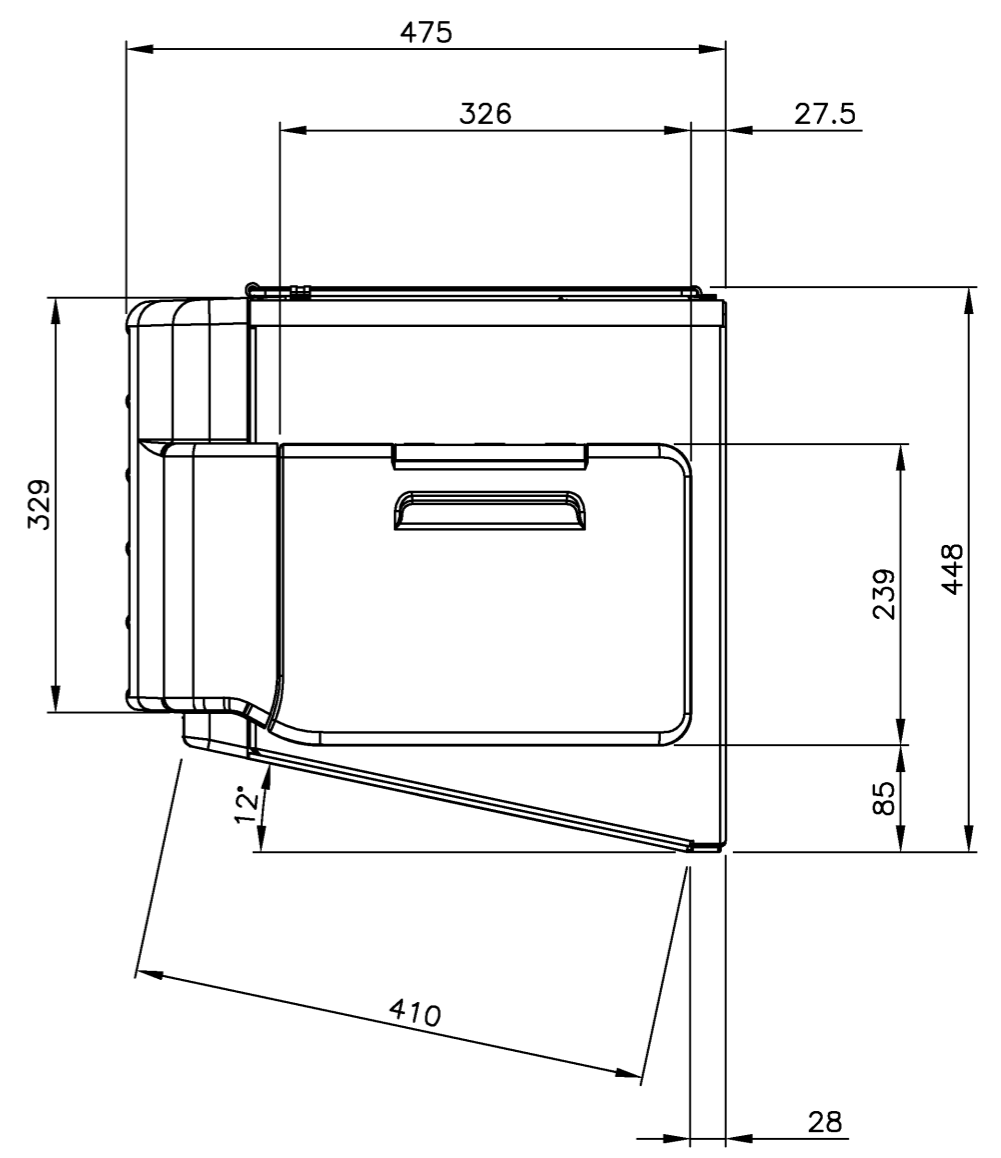
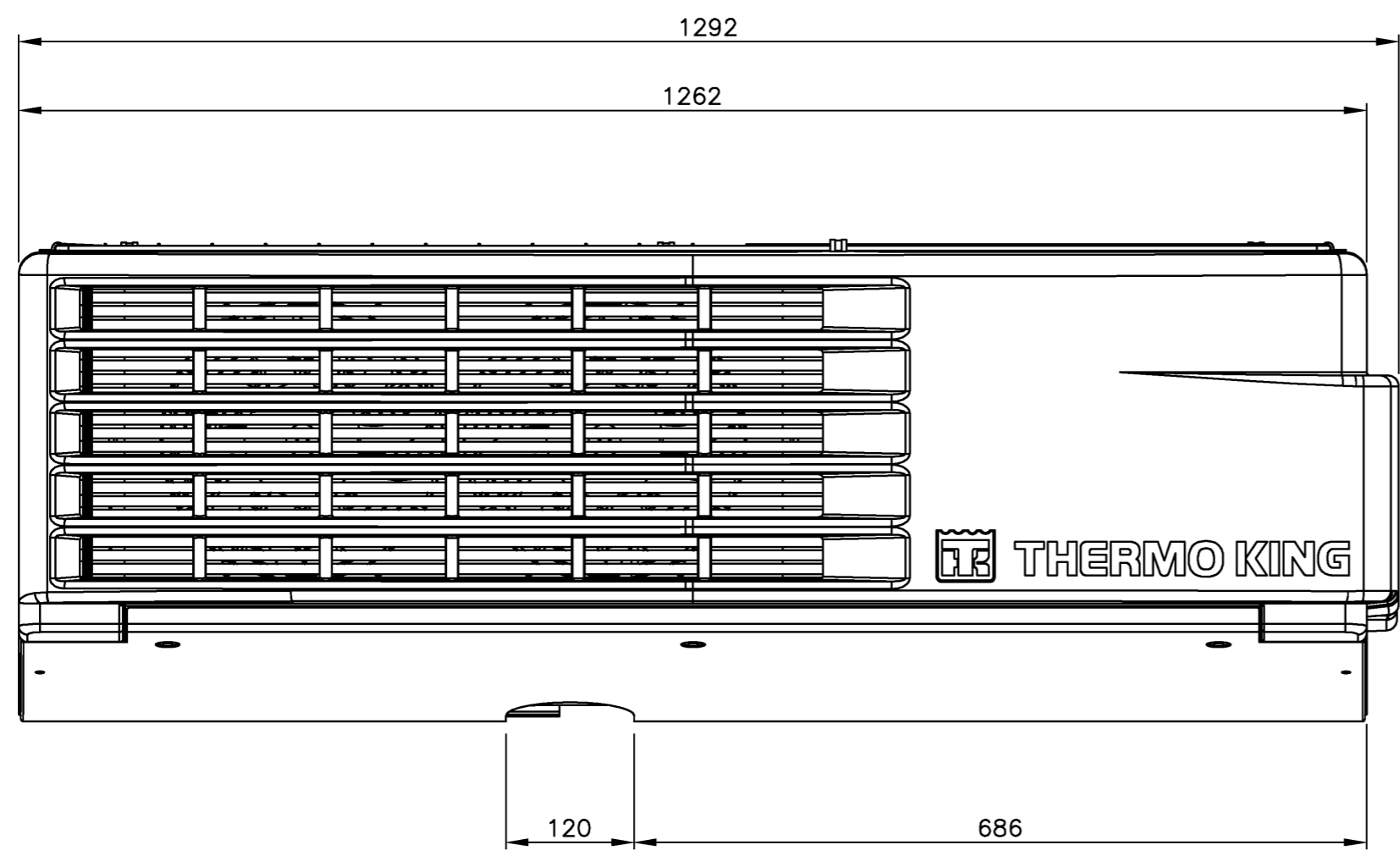


REVISIONS						
ECO	SYM	DESCRIPTION	DATE	BY	CHK	APP
504666	A	RELEASED	07-Oct-03	JL	AS	JL
510341	B	ADD V400 MAX-30 & V400 MAX-50 VERSIONS.	30/Mar/06	JL	LG	JL

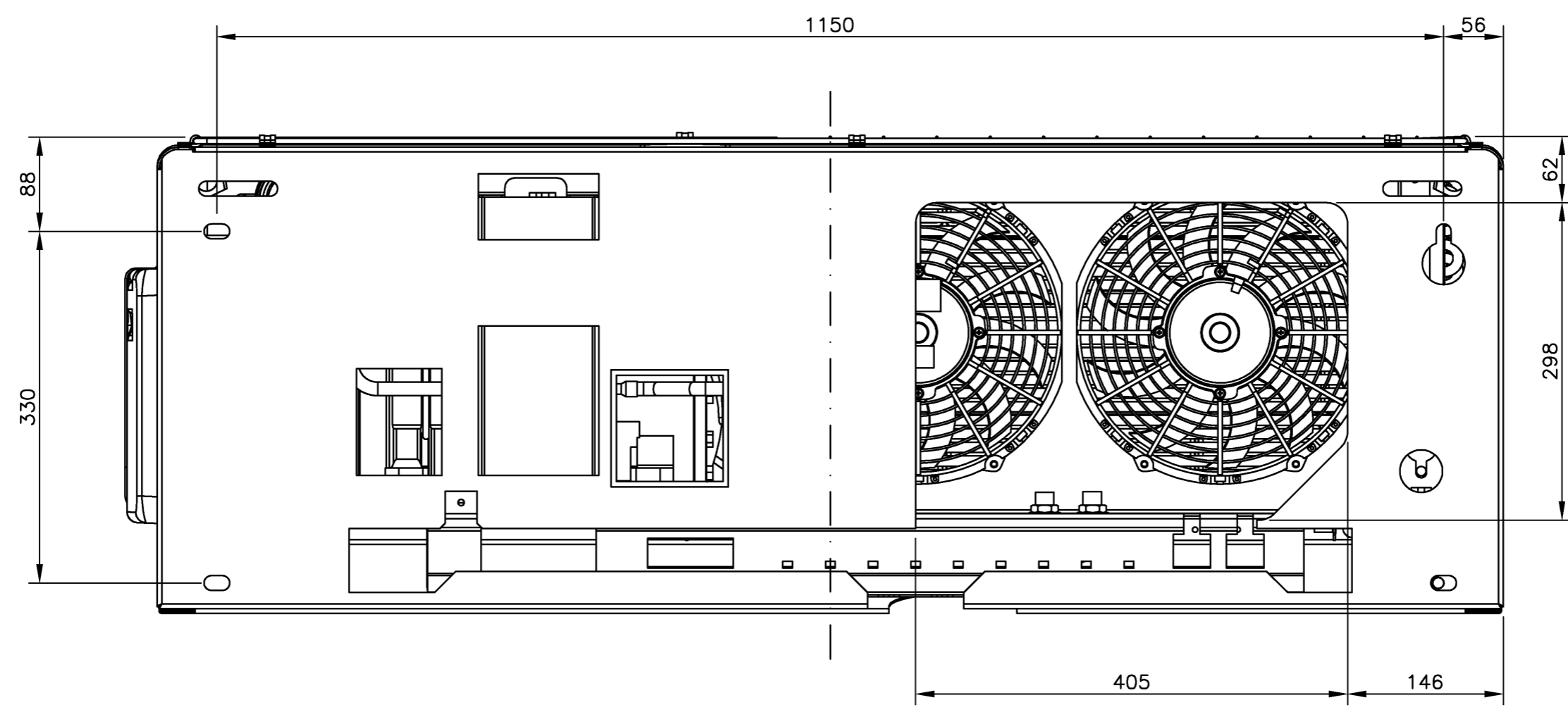


DIMENSIONS IN MILLIMETERS


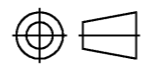


ITEM	PART NUMBER	REV.	DESCRIPTION	QTY.	MAT'L SPEC'S
LIST OF MATERIAL					
DRAWN JORDI L.		DATE 07-Oct-03		<div style="display: flex; justify-content: space-between; align-items: center;"> <div style="text-align: center;"> <p>OUTLINE DRAWING</p> <p>V400/V500</p> <p>SHEET <u>1</u> of <u>3</u></p> </div> <div style="text-align: right;"> </div> </div>	
CHECKED A. SENDINO		DATE 29-Apr-04			
APPROVED JORDI L.		DATE 29-Apr-04			
THIS PRINT SUPERSEDES ANY OF EARLIER DATE. DESTROY SAME.		SCALE 1/6			
MATERIAL:		FINISH:		DRAWING NUMBER 1E18484	
				REV. B	
THIS DOCUMENT CONTAINS PROPRIETARY INFORMATION OF THE THERMO KING CORPORATION. IT IS TRANSMITTED TO YOU IN CONFIDENCE AND TRUST, AND IS TO BE RETURNED UPON REQUEST. ITS CONTENTS MAY NOT BE DISCLOSED IN WHOLE OR IN PART TO OTHERS OR USED FOR OTHER THAN THE PURPOSE FOR WHICH TRANSMITTED WITHOUT THE PRIOR WRITTEN PERMISSION OF THERMO KING CORPORATION.					

REVISIONS					
ECO	SYM	DESCRIPTION	DATE	BY	CHK APP



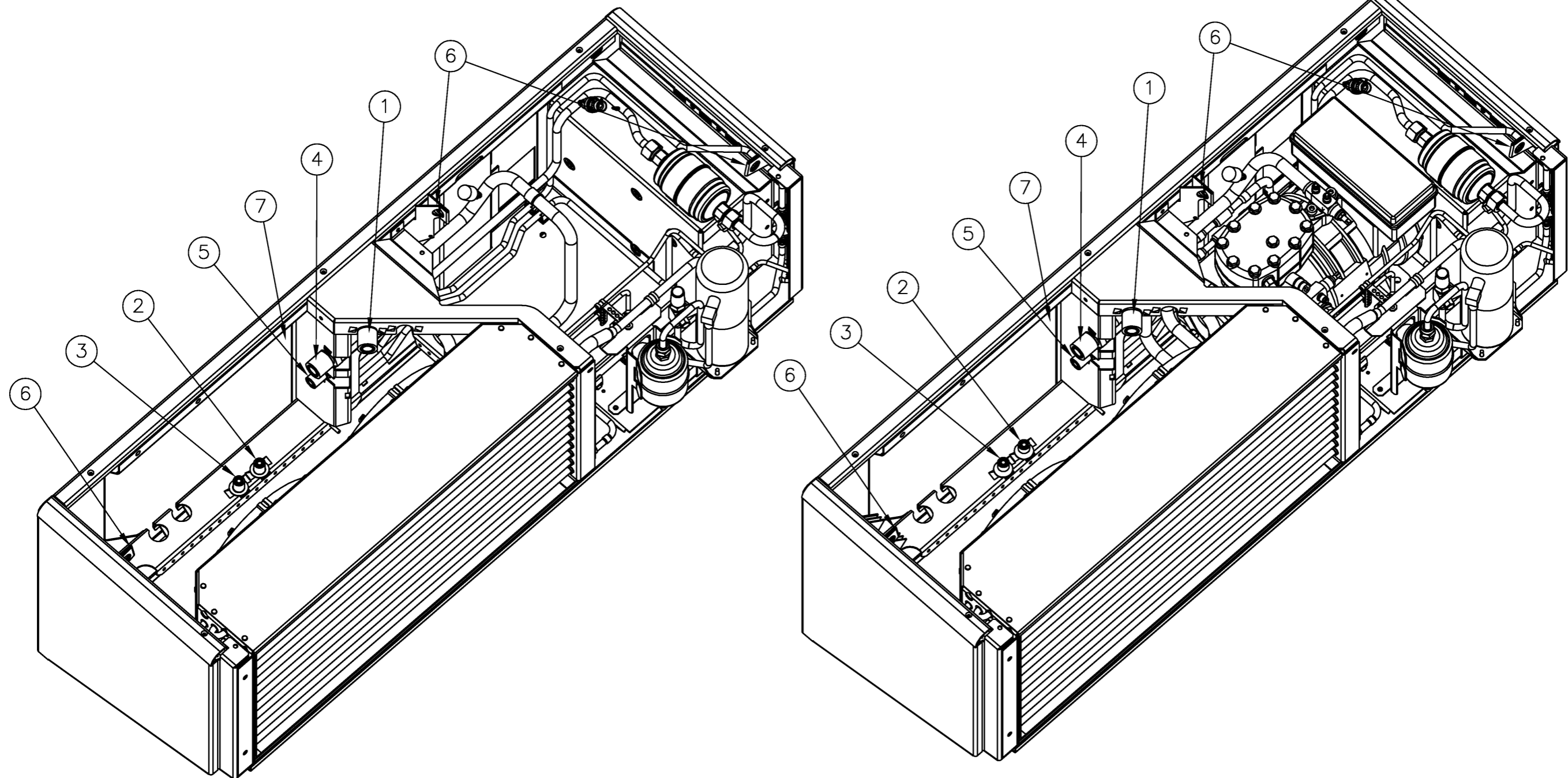
! DIMENSIONS IN MILLIMETERS  
**THIRD ANGLE PROJECTION**

ITEM	PART NUMBER	REV.	DESCRIPTION	QTY.	MAT'L SPEC'S
LIST OF MATERIAL					
DRAWN JORDI L.		DATE 07-Oct-03		 OUTLINE DRAWING V400/V500 SHEET <u>2</u> of <u>3</u>	
CHECKED A. SENDINO		DATE 29-Apr-04			
APPROVED JORDI L.		DATE 29-Apr-04			
THIS PRINT SUPERSEDES ANY OF EARLIER DATE. DESTROY SAME.					
		SCALE 1/5		MATERIAL: FINISH:	
				DRAWING NUMBER <b>1E18484</b>	
				REV. <b>B</b>	
THIS DOCUMENT CONTAINS PROPRIETARY INFORMATION OF THE THERMO KING CORPORATION. IT IS TRANSMITTED TO YOU IN CONFIDENCE AND TRUST, AND IS TO BE RETURNED UPON REQUEST. ITS CONTENTS MAY NOT BE DISCLOSED IN WHOLE OR IN PART TO OTHERS OR USED FOR OTHER THAN THE PURPOSE FOR WHICH TRANSMITTED WITHOUT THE PRIOR WRITTEN PERMISSION OF THERMO KING CORPORATION.					

V500-10 / V500 MAX-10 / V500 MAX-30  
 V400 MAX-10 / V400 MAX-30

V500-20 / V500 MAX-20 / V500 MAX-50  
 V400 MAX-20 / V400 MAX-50

REVISIONS					
ECO	SYM	DESCRIPTION	DATE	BY	CHK APP



- 1.- Suction line connection (evap-cond) (hose # 12)
- 2.- Hot gas line connection (hose # 6)
- 3.- Liquid line connection (hose # 6)
- 4.- Suction line connection (cond-road compres) (hose #12)
- 5.- Discharge line connection (hose # 8)
- 6.- Lifting eyes (3)
- 7.- Space to route hoses to the evaporator

DIMENSIONS IN  
MILLIMETERS

**THIRD ANGLE PROJECTION**

ITEM	PART NUMBER	REV.	DESCRIPTION	QTY.	MAT'L SPEC'S
LIST OF MATERIAL					
DRAWN JORDI L.		DATE 07-Oct-03		<div style="display: flex; justify-content: space-between; align-items: center;"> <div style="text-align: center;"> <p>OUTLINE DRAWING</p> <p>V400/V500</p> </div> <div style="text-align: right;"> <p><b>THERMO KING</b> SPAIN</p> </div> </div>	
CHECKED A. SENDINO		DATE 29-Apr-04			
APPROVED JORDI L.		DATE 29-Apr-04			
THIS PRINT SUPERSEDES ANY OF EARLIER DATE. DESTROY SAME.					
		SCALE		SHEET <u>3</u> of <u>3</u>	
MATERIAL:				DRAWING NUMBER	
FINISH:				1E18484	
THIS DOCUMENT CONTAINS PROPRIETARY INFORMATION OF THE THERMO KING CORPORATION. IT IS TRANSMITTED TO YOU IN CONFIDENCE AND TRUST, AND IS TO BE RETURNED UPON REQUEST. ITS CONTENTS MAY NOT BE DISCLOSED IN WHOLE OR IN PART TO OTHERS OR USED FOR OTHER THAN THE PURPOSE FOR WHICH TRANSMITTED WITHOUT THE PRIOR WRITTEN PERMISSION OF THERMO KING CORPORATION.				REV. B	