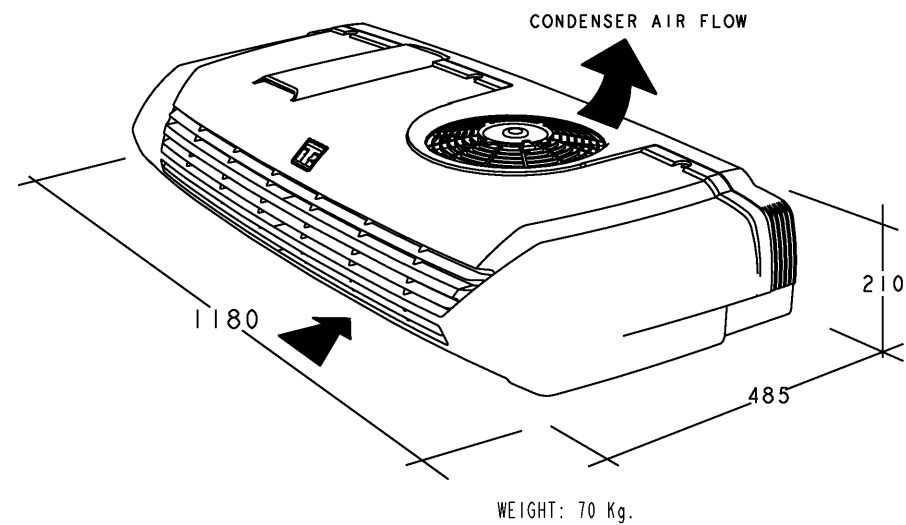
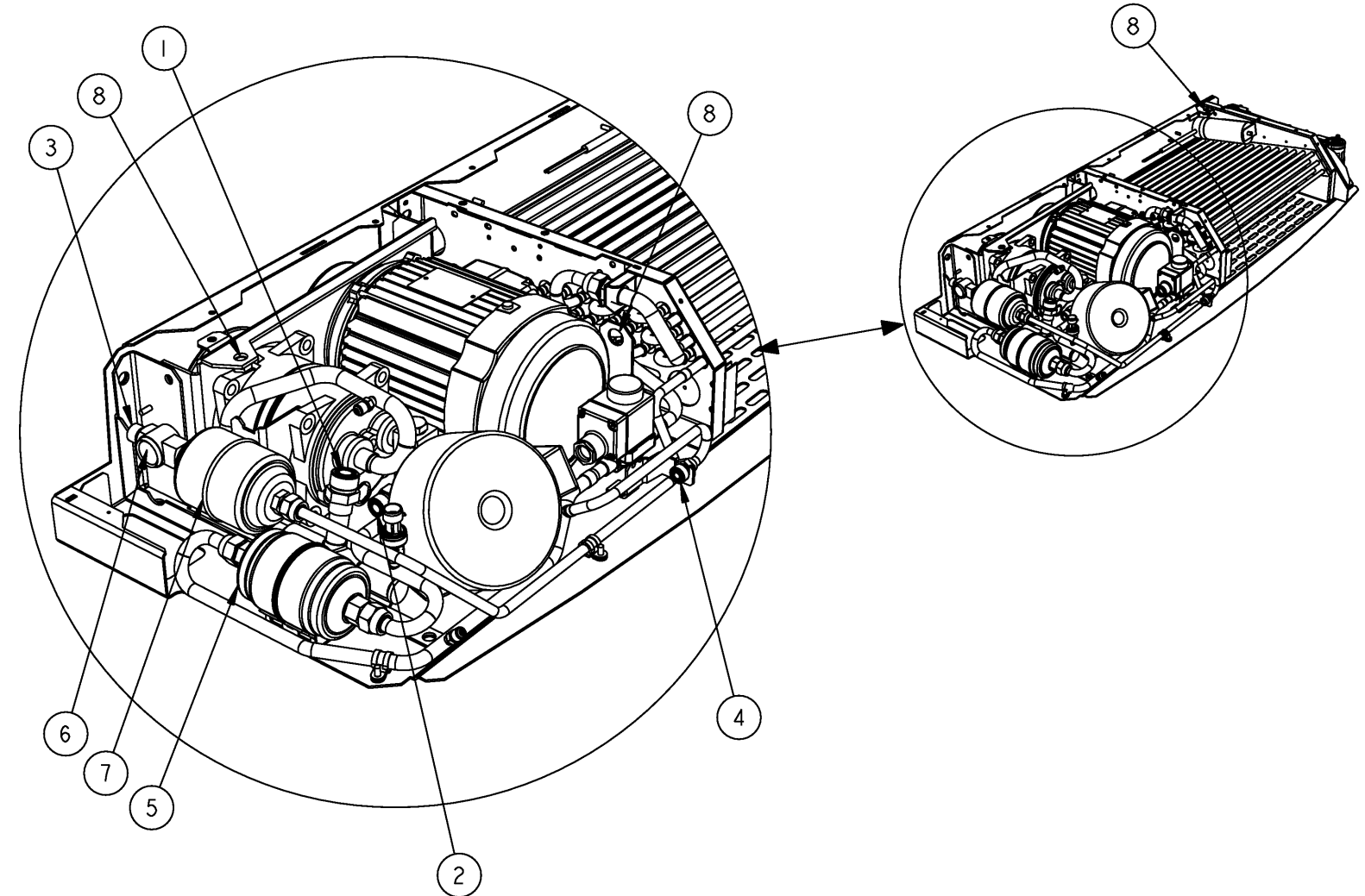
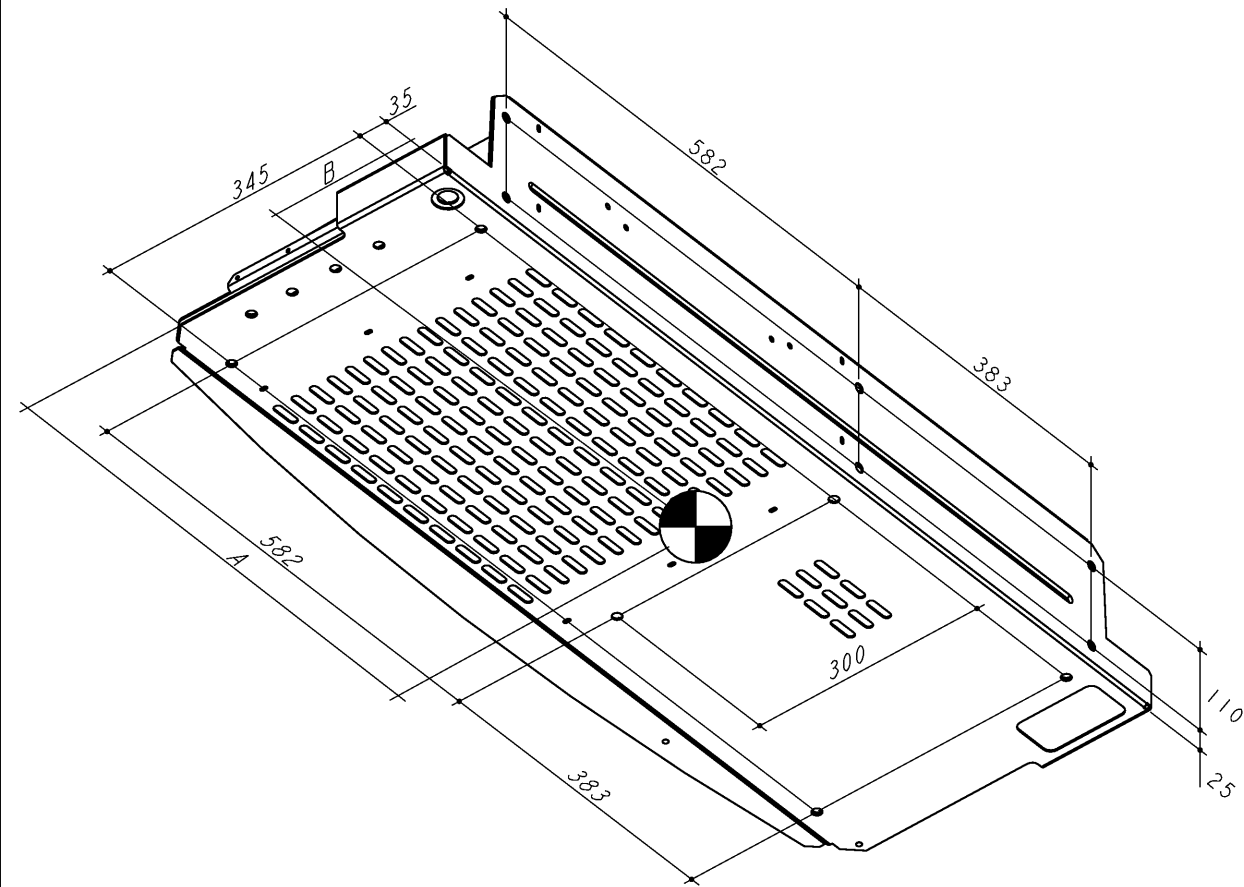
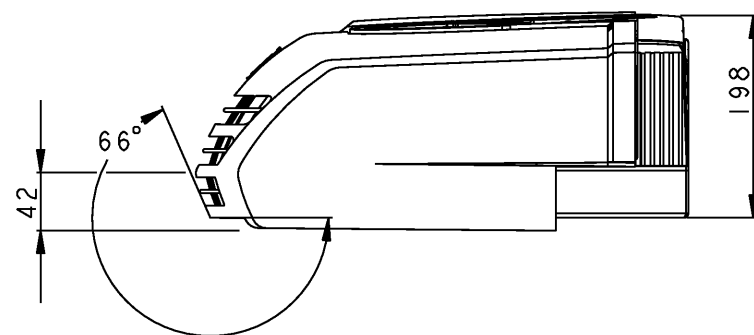


REVISIONS

ECO	SYM	DESCRIPTION	DATE	BY	CHK	APP
504030	A	RELEASED	19-Mar-03	JL	EC	JL
509353	B	ELIMINATE ONE PAGE	18-Apr-05	CM	LG	CM
517458	C	ADDED CENTER OF GRAVITY	20-Jul-07	AKF	JL	AKF



- 1.- Suction line to compressor. (90° Fitting - #10).
- 2.- Discharge line from compressor. (45° Fitting - #8).
- 3.- Liquid line. (90°/Straight Fitting - #6).
- 4.- Hot gas line. (Straight Fitting - #6).
- 5.- Oil Return. (90° Fitting - #4).
- 6.- Sight-glass
- 7.- Filter.
- 8.- Lifting eyes.



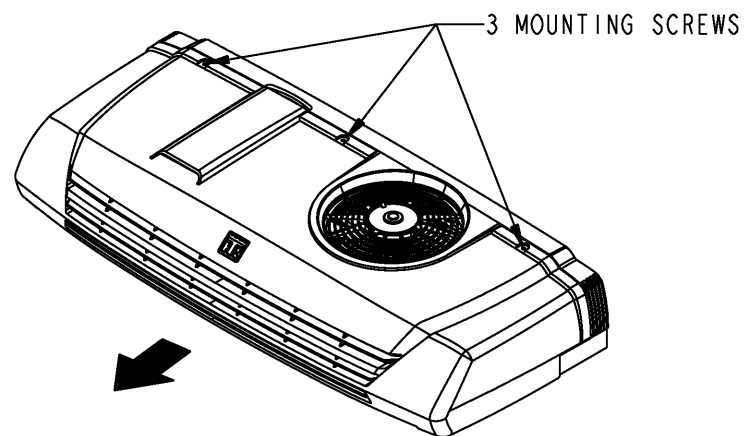
CENTER OF GRAVITY DIMENSIONS

MODEL	A	B
V-300 10	571.5	213.4
V-300 20	622.3	181.6

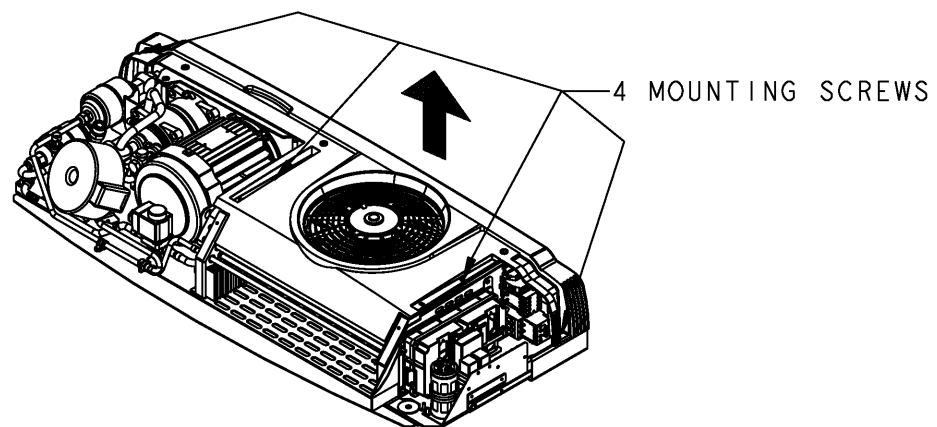
= CENTER OF GRAVITY

ITEM	PART NUMBER	REV.	DESCRIPTION	QTY.	MAT'L SPEC'S
LIST OF MATERIAL					
DRAWN JORDI L.		DATE 19-Mar-03		<div style="display: flex; justify-content: space-between;"> <div style="text-align: center;"> <p>OUTLINE DRAWING CONDENSER V-200 / V-300</p> <p>SHEET <u>1</u> of <u>2</u></p> </div> <div style="text-align: right;"> </div> </div>	
CHECKED E. CANADE		DATE 25-Sep-03			
APPROVED JORDI L.		DATE 25-Sep-03			
THIS PRINT SUPERSEDES ANY OF EARLIER DATE. DESTROY SAME.					
		SCALE . / .		MATERIAL: FINISH:	
				DRAWING NUMBER 1E16167	
				REV. C	

1 REMOVE THE COVER



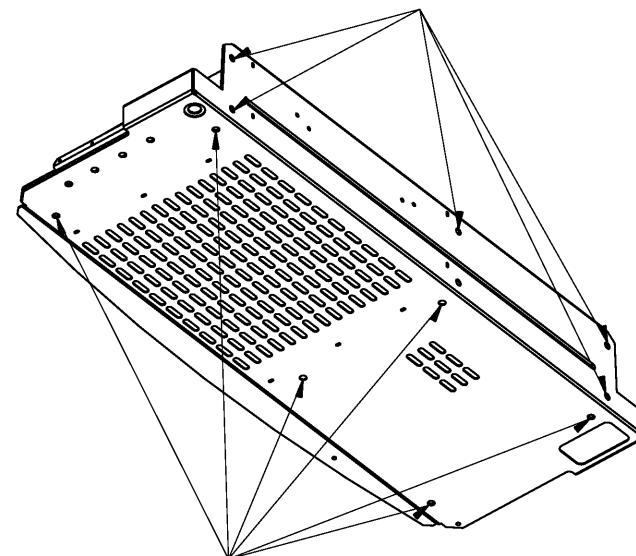
2 REMOVE THE COIL CANALIZER (Remove the fan connector)



NOTA:
El aspecto y los componentes de la unidad pueden variar dependiendo del modelo en concreto

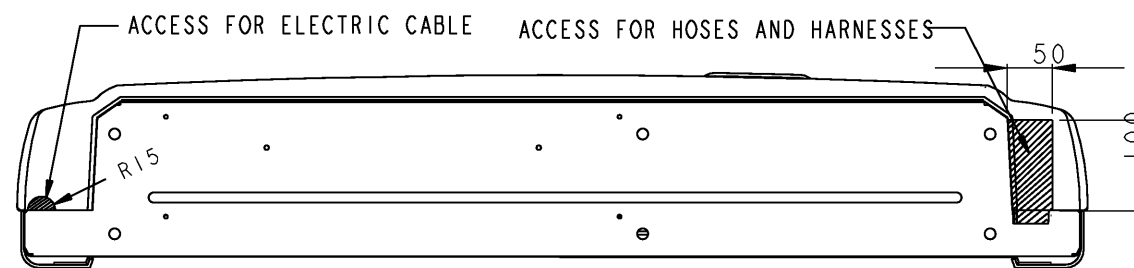
NOTA:
The components and the unit look's can changed depending on the model


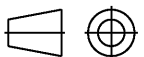
 FIX THE CONDENSER BY MEANS OF THESE 5 HOLES WHEN THE CONDENSER IS MOUNTED ON THE FRONT OF THE TRUCK



 IN A ROOF-MOUNTING FIX THE CONDENSER BY MEANS OF THESE 6 HOLES

WHEN THE CONDENSER IS MOUNTED ON THE FRONT OF THE TRUCK (A NON-ROOF MOUNTING); THE SHADED MATERIAL MUST BE REMOVED FROM THE COVER AS SHOWN:



ITEM	PART NUMBER	REV.	DESCRIPTION	QTY.	MAT'L SPEC'S
LIST OF MATERIAL					
DRAWN JORDI L.	DATE 19-Mar-03	OUTLINE DRAWING CONDENSER V-200 / V-300			
CHECKED E. CANADE	DATE 25-Sep-03				
APPROVED JORDI L.	DATE 25-Sep-03				
THIS PRINT SUPERSEDES ANY OF EARLIER DATE. DESTROY SAME.			SHEET <u>2</u> OF <u>2</u>	DRAWING NUMBER	
 SCALE ././		MATERIAL:		1E16167	
		FINISH:		C	

THIS DOCUMENT CONTAINS PROPRIETARY INFORMATION OF THE THERMO KING CORPORATION. IT IS TRANSMITTED TO YOU IN CONFIDENCE AND TRUST, AND IS TO BE RETURNED UPON REQUEST. ITS CONTENTS MAY NOT BE DISCLOSED IN WHOLE OR IN PART TO OTHERS OR USED FOR OTHER THAN THE PURPOSE FOR WHICH TRANSMITTED WITHOUT THE PRIOR WRITTEN PERMISSION OF THERMO KING CORPORATION.