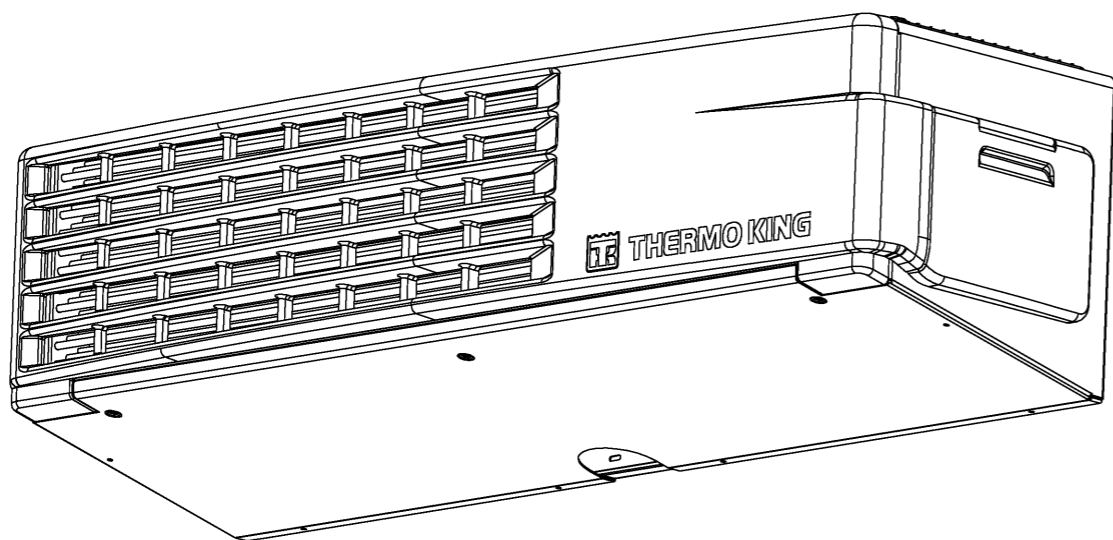
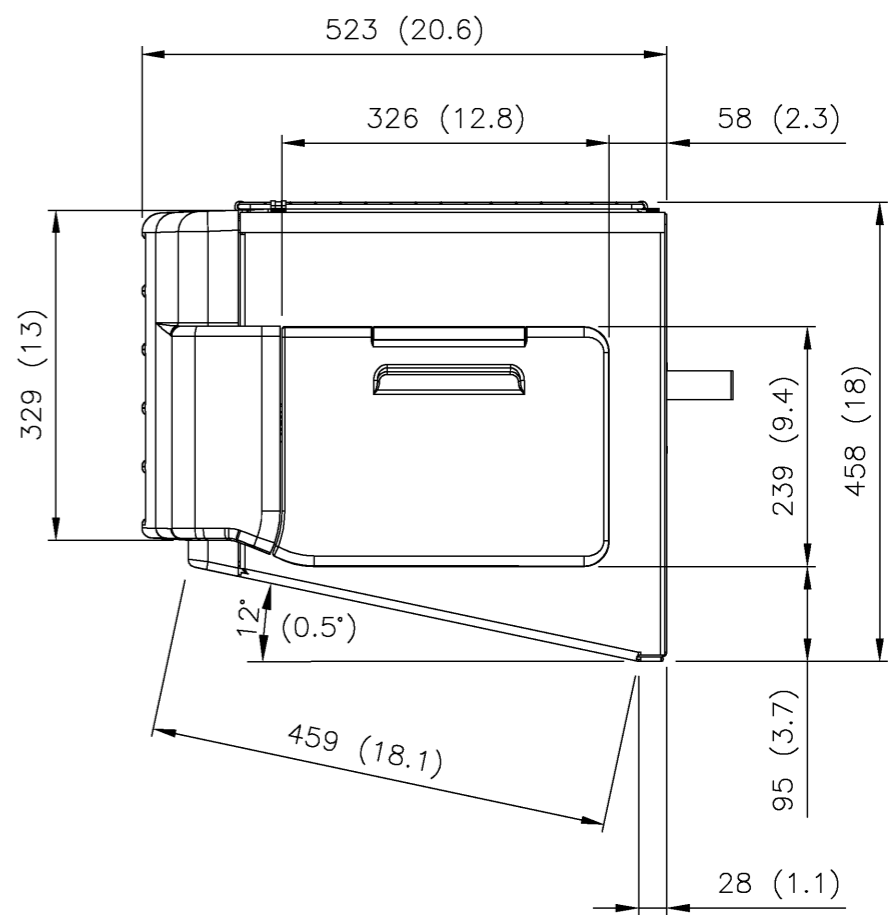
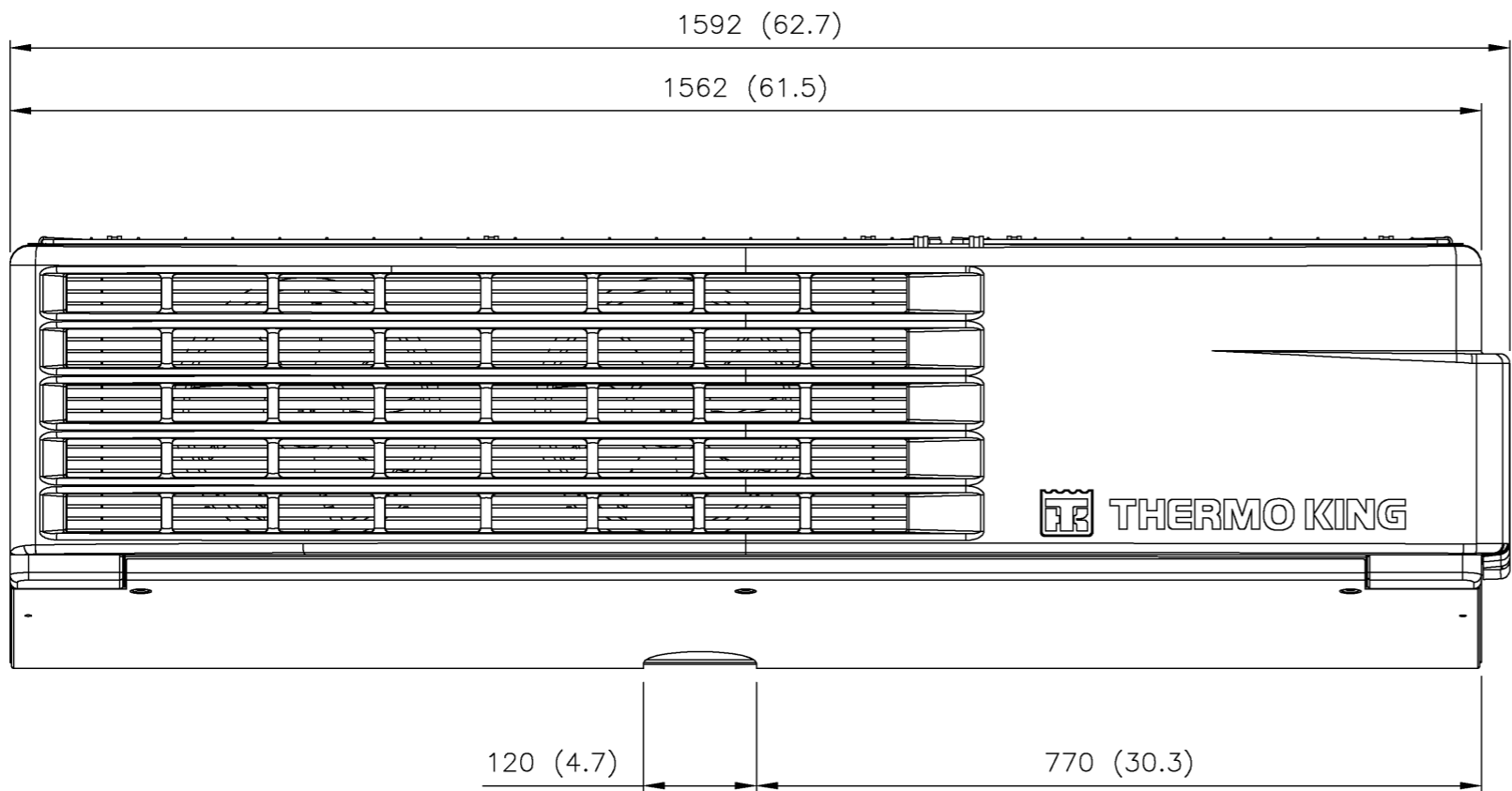



REVISIONS						
ECO	SYM	DESCRIPTION	DATE	BY	CHK	APP
502159	A	RELEASED	30/05/02	JL	AS	MR
509534	B	ADD DIMENSIONS IN INCHES	20-May-05	JL	JT	JL



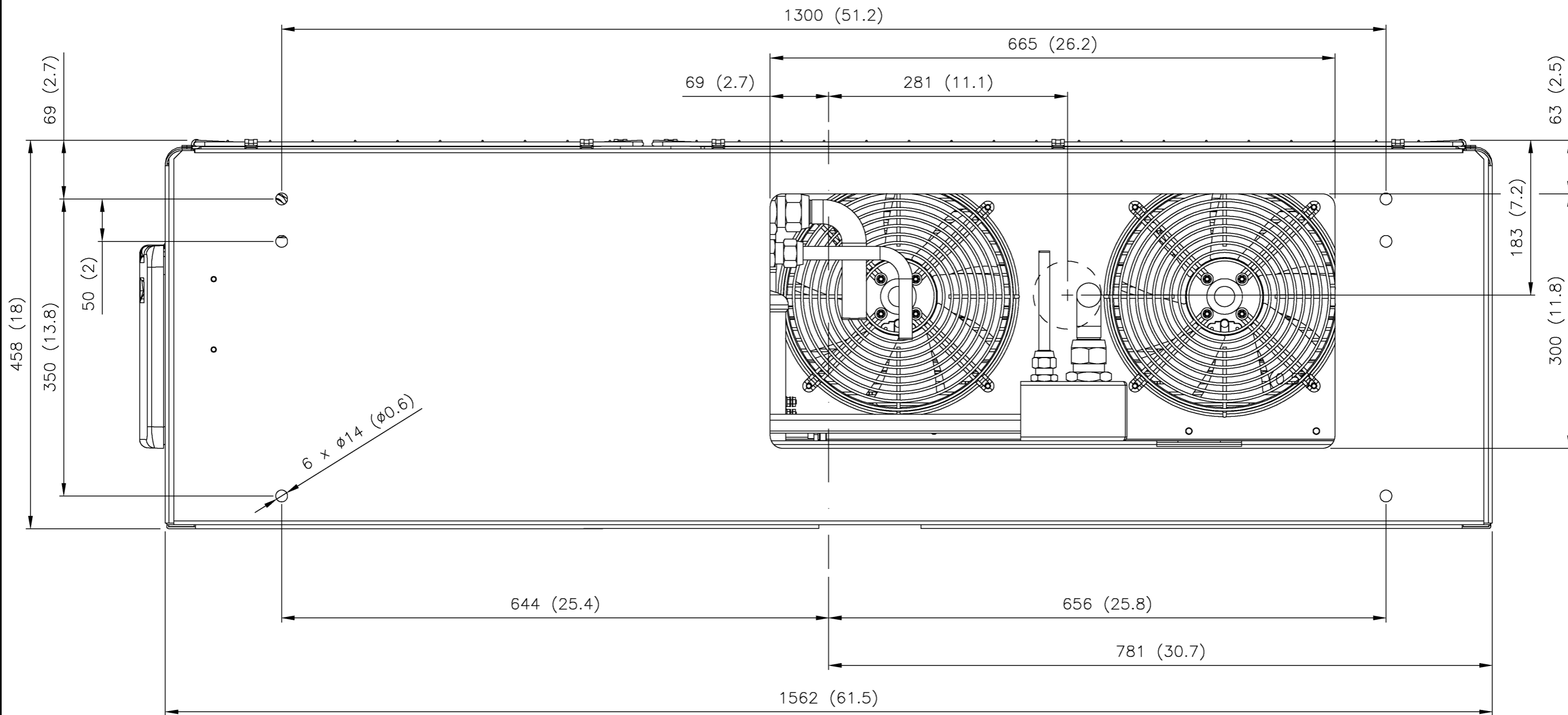
**NOTE:**  
DIMENSIONS IN BRACKETS ARE INCHES

DIMENSIONS IN MILLIMETERS  
**! THIRD ANGLE PROJECTION**

ITEM	PART NUMBER	REV.	DESCRIPTION	QTY.	MAT'L SPEC'S
LIST OF MATERIAL					
DRAWN	JORDI L.	DATE	30-May-02	<div style="display: flex; justify-content: space-between;"> <div style="text-align: center;"> <p>OUTLINE DRAWING CONDENSER V700</p> <p>SHEET <u>1</u> OF <u>3</u></p> </div> <div style="text-align: right;">  </div> </div>	
CHECKED	A. SENDINO	DATE	06-Jun-02		
APPROVED	MANEL R.	DATE	06-Jun-02		
THIS PRINT SUPERSEDES ANY OF EARLIER DATE. DESTROY SAME.			SCALE		
			1/7.5		
			MATERIAL:		
			FINISH:		
				DRAWING NUMBER	REV.
				1E08900	B


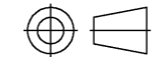
THIS DOCUMENT CONTAINS PROPRIETARY INFORMATION OF THE THERMO KING CORPORATION. IT IS TRANSMITTED TO YOU IN CONFIDENCE AND TRUST, AND IS TO BE RETURNED UPON REQUEST. ITS CONTENTS MAY NOT BE DISCLOSED IN WHOLE OR IN PART TO OTHERS OR USED FOR OTHER THAN THE PURPOSE FOR WHICH TRANSMITTED WITHOUT THE PRIOR WRITTEN PERMISSION OF THERMO KING CORPORATION.

REVISIONS					
ECO	SYM	DESCRIPTION	DATE	BY	CHK APP



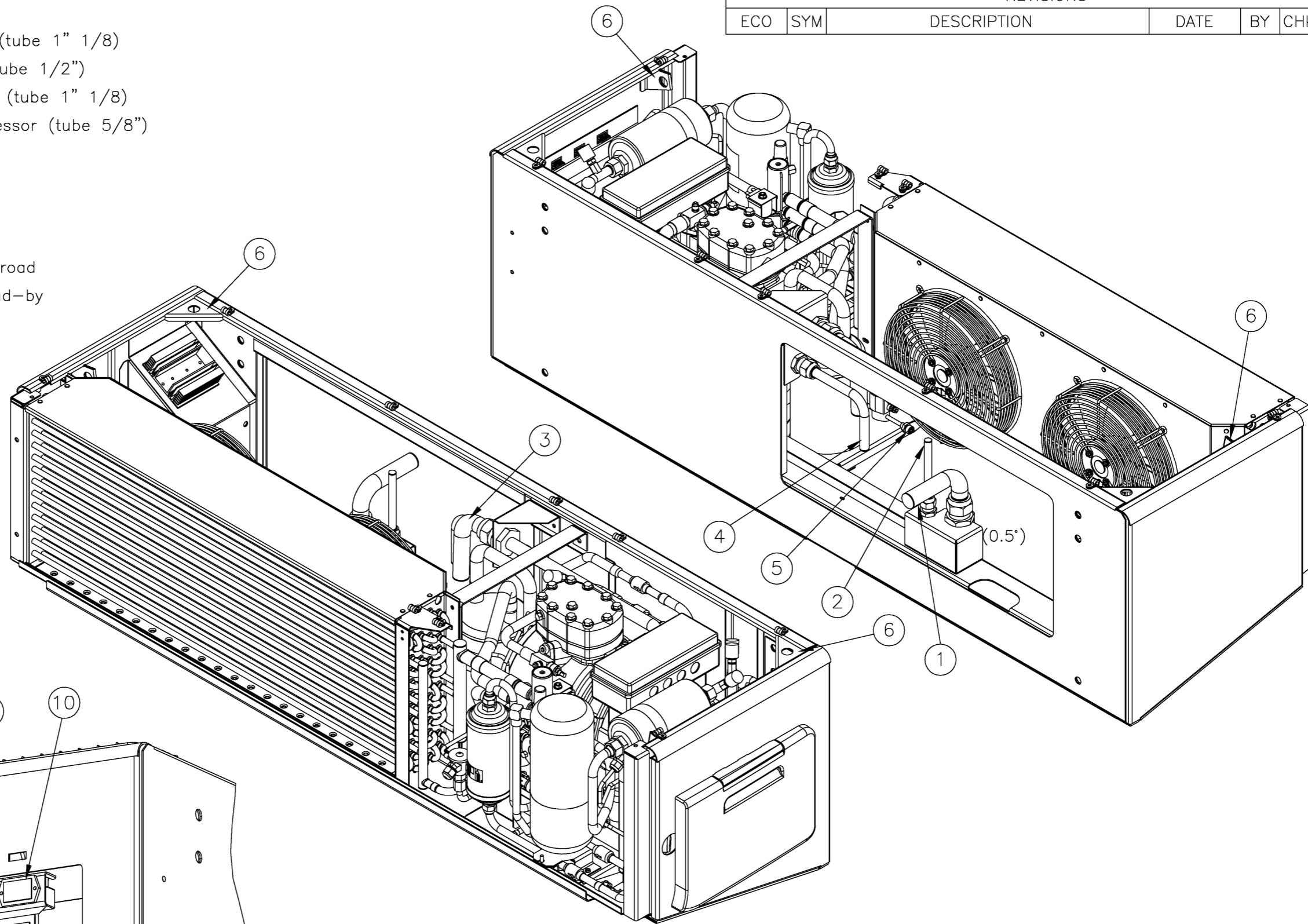
**NOTE:**  
DIMENSIONS IN BRACKETS ARE INCHES

DIMENSIONS IN MILLIMETERS  
**! THIRD ANGLE PROJECTION**

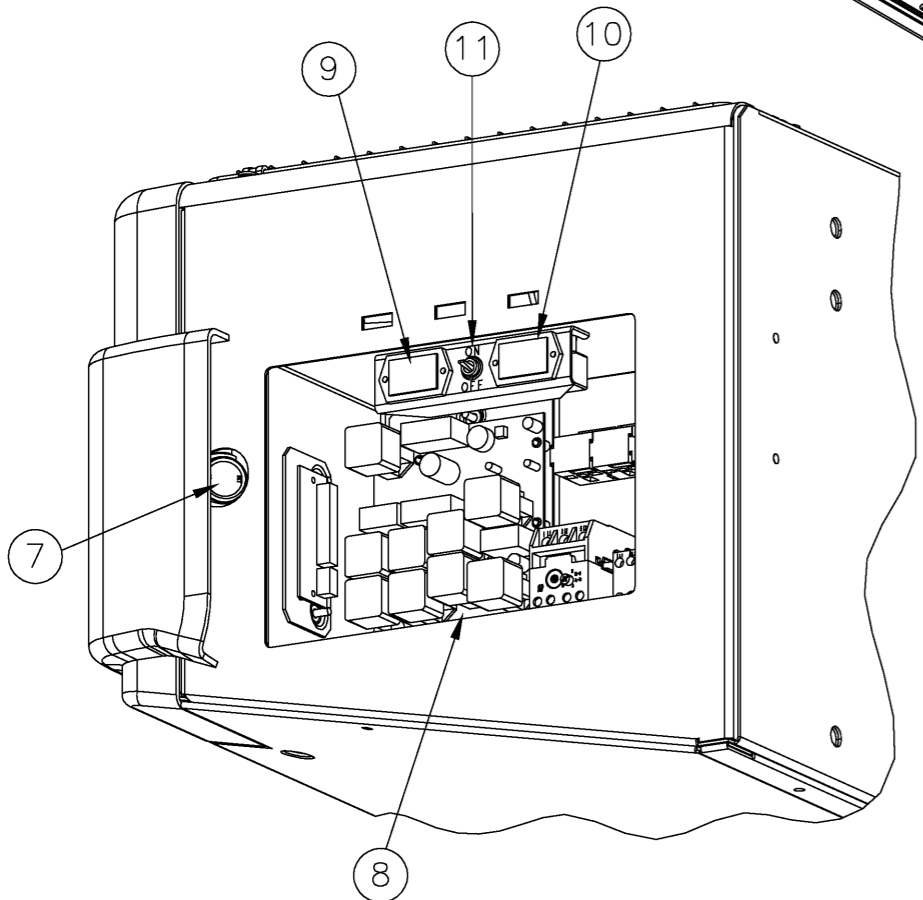
ITEM	PART NUMBER	REV.	DESCRIPTION	QTY.	MAT'L SPEC'S
LIST OF MATERIAL					
DRAWN	JORDI L.	DATE	30-May-02	<div style="display: flex; justify-content: space-between;"> <div> <p>OUTLINE DRAWING CONDENSER V700</p> <p>SHEET <u>2</u> OF <u>3</u></p> </div> <div style="text-align: right;">  </div> </div>	
CHECKED	A. SENDINO	DATE	06-Jun-02		
APPROVED	MANEL R.	DATE	06-Jun-02		
THIS PRINT SUPERSEDES ANY OF EARLIER DATE. DESTROY SAME.			MATERIAL:	DRAWING NUMBER	
			SCALE	REV.	
			1/5	1E08900	
			FINISH:	B	
THIS DOCUMENT CONTAINS PROPRIETARY INFORMATION OF THE THERMO KING CORPORATION. IT IS TRANSMITTED TO YOU IN CONFIDENCE AND TRUST, AND IS TO BE RETURNED UPON REQUEST. ITS CONTENTS MAY NOT BE DISCLOSED IN WHOLE OR IN PART TO OTHERS OR USED FOR OTHER THAN THE PURPOSE FOR WHICH TRANSMITTED WITHOUT THE PRIOR WRITTEN PERMISSION OF THERMO KING CORPORATION.					

- 1.- Suction line in cool mode (tube 1" 1/8)
- 2.- Liquid line in cool mode (tube 1/2")
- 3.- Suction line to compressor (tube 1" 1/8)
- 4.- Discharge line from compressor (tube 5/8")
- 5.- Injection line (hose #4)
- 6.- Lifting eyes (4)
- 7.- Sight-glass
- 8.- Electronic PC Board
- 9.- Hourmeter compressor on-road
- 10.- Hourmeter compressor stand-by
- 11.- ON/OFF switch

REVISIONS					
ECO	SYM	DESCRIPTION	DATE	BY	CHK APP




ELECTRIC-BOX  
SCALE 1/5



DIMENSIONS IN MILLIMETERS

**! THIRD ANGLE PROJECTION**

ITEM	PART NUMBER	REV.	DESCRIPTION	QTY.	MAT'L SPEC'S
LIST OF MATERIAL					
DRAWN JORDI L.		DATE 30-May-02		<div style="display: flex; justify-content: space-between;"> <div> <p>OUTLINE DRAWING CONDENSER V700</p> <p>SHEET <u>3</u> OF <u>3</u></p> </div> <div style="text-align: right;">  </div> </div>	
CHECKED A. SENDINO		DATE 06-Jun-02			
APPROVED MANEL R.		DATE 06-Jun-02			
THIS PRINT SUPERSEDES ANY OF EARLIER DATE. DESTROY SAME.					
SCALE 1/7.5		MATERIAL:		DRAWING NUMBER 1E08900	
FINISH:				REV. B	
THIS DOCUMENT CONTAINS PROPRIETARY INFORMATION OF THE THERMO KING CORPORATION. IT IS TRANSMITTED TO YOU IN CONFIDENCE AND TRUST, AND IS TO BE RETURNED UPON REQUEST. ITS CONTENTS MAY NOT BE DISCLOSED IN WHOLE OR IN PART TO OTHERS OR USED FOR OTHER THAN THE PURPOSE FOR WHICH TRANSMITTED WITHOUT THE PRIOR WRITTEN PERMISSION OF THERMO KING CORPORATION.					