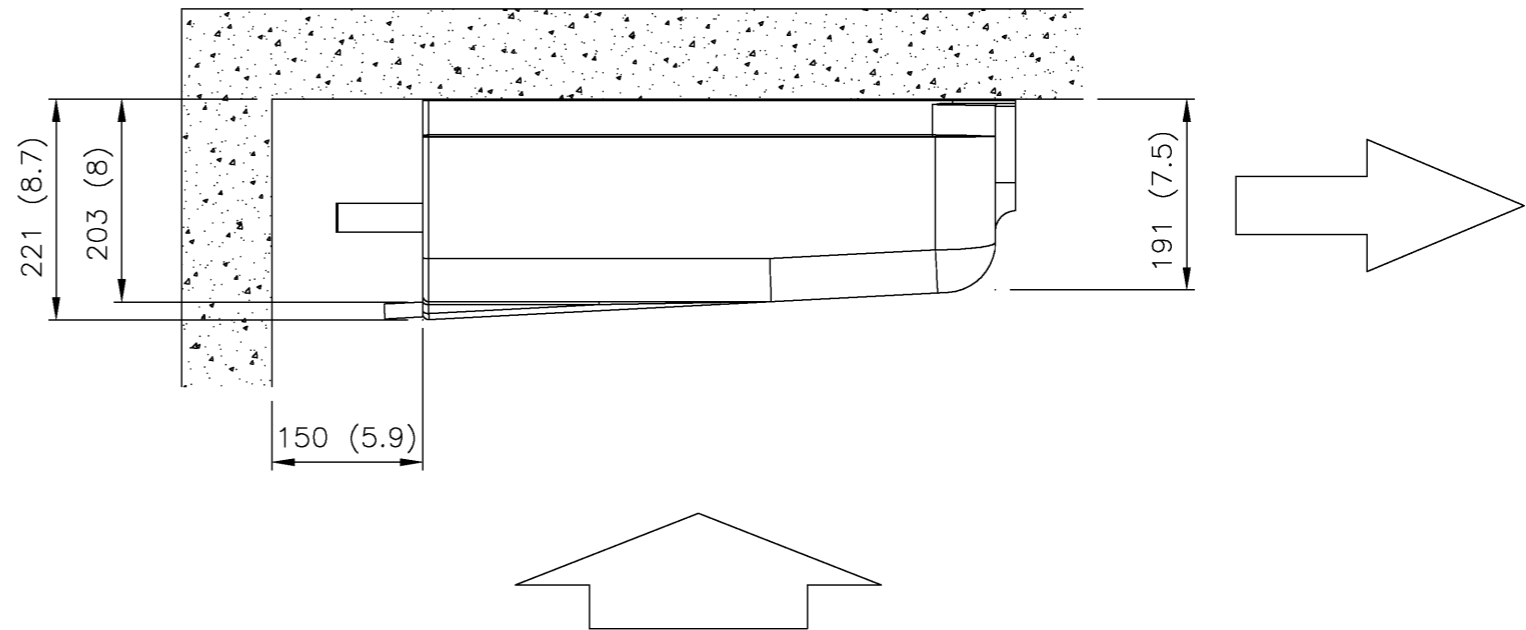
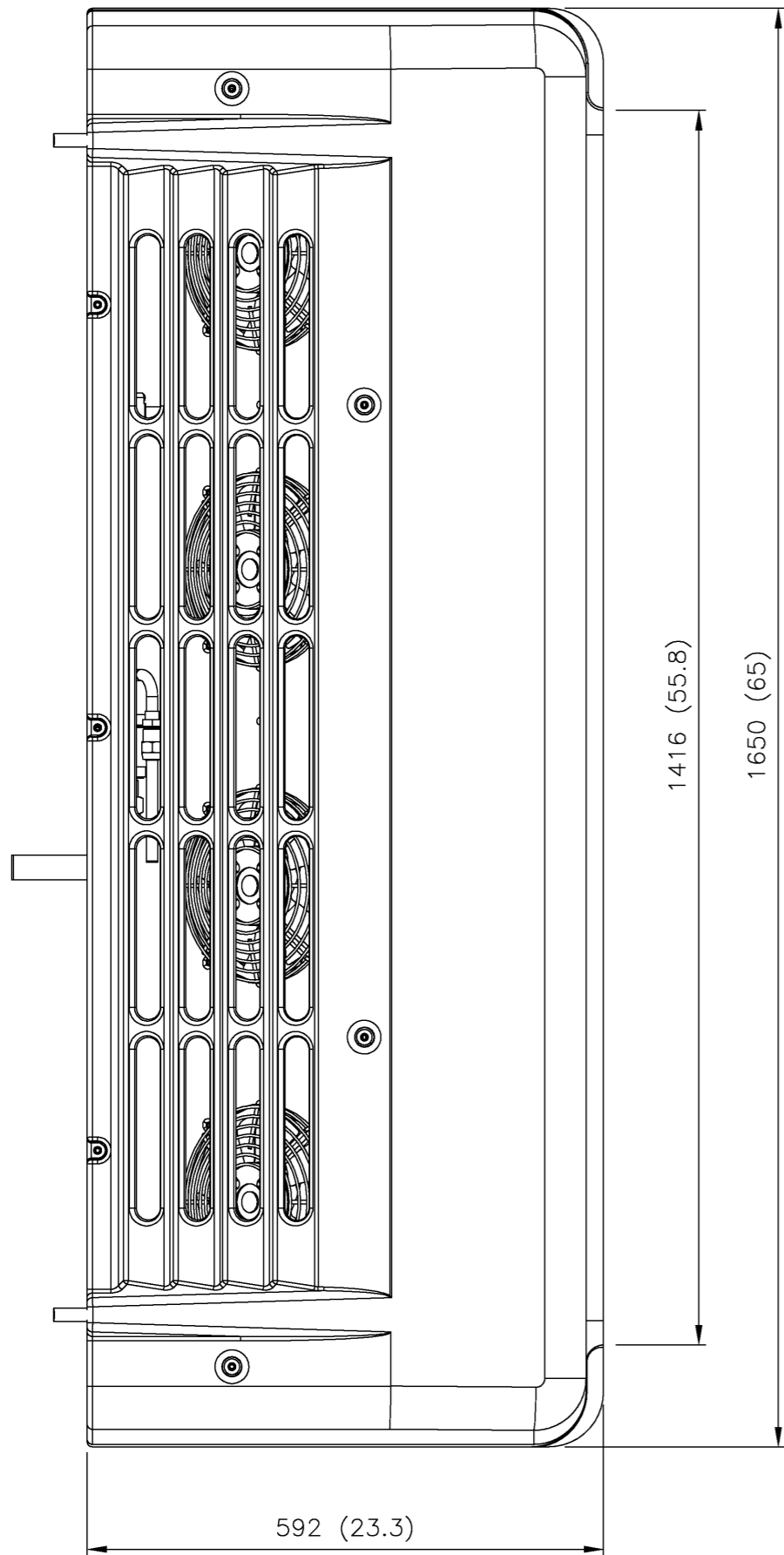


REVISIONS					
ECO	SYM	DESCRIPTION	DATE	BY	CHK APP
502159	A	RELEASED	30/05/02	JL	AS MR
509534	B	ADD DIMENSIONS IN INCHES	20-May-05	JL	JT JL



NOTE:
DIMENSIONS IN BRACKETS ARE INCHES

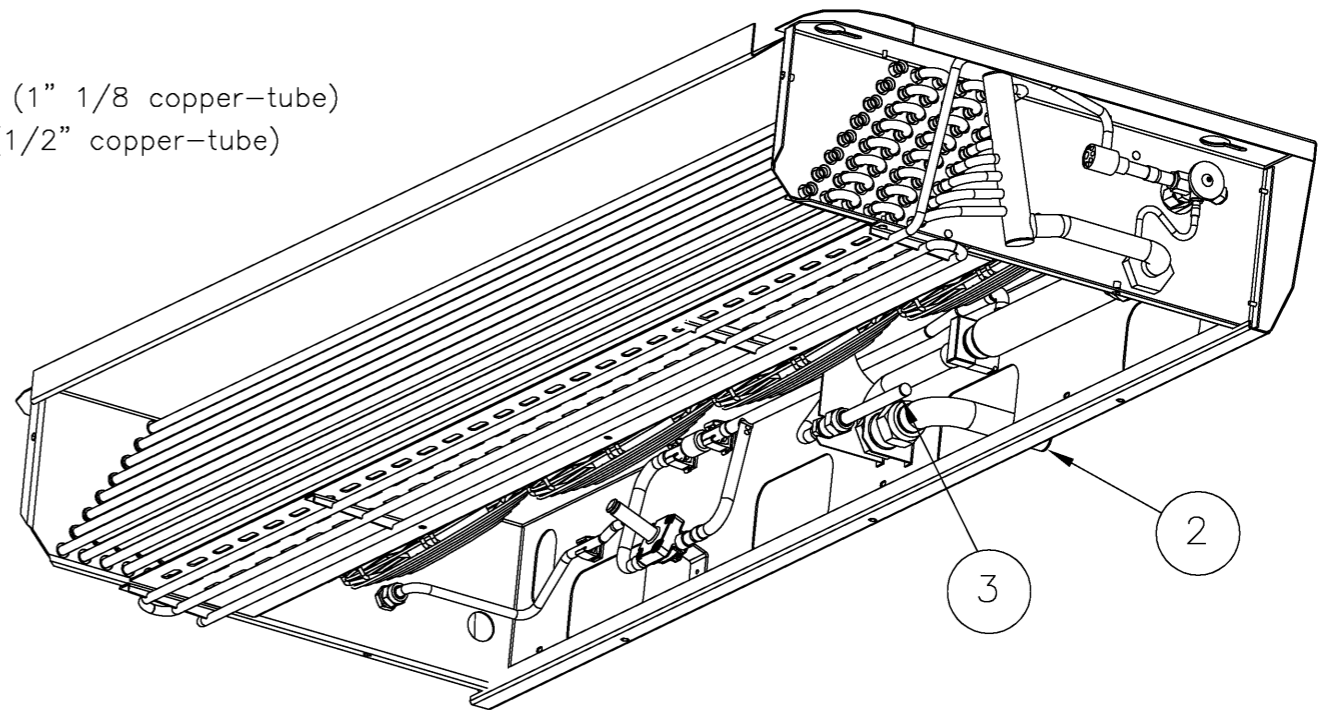
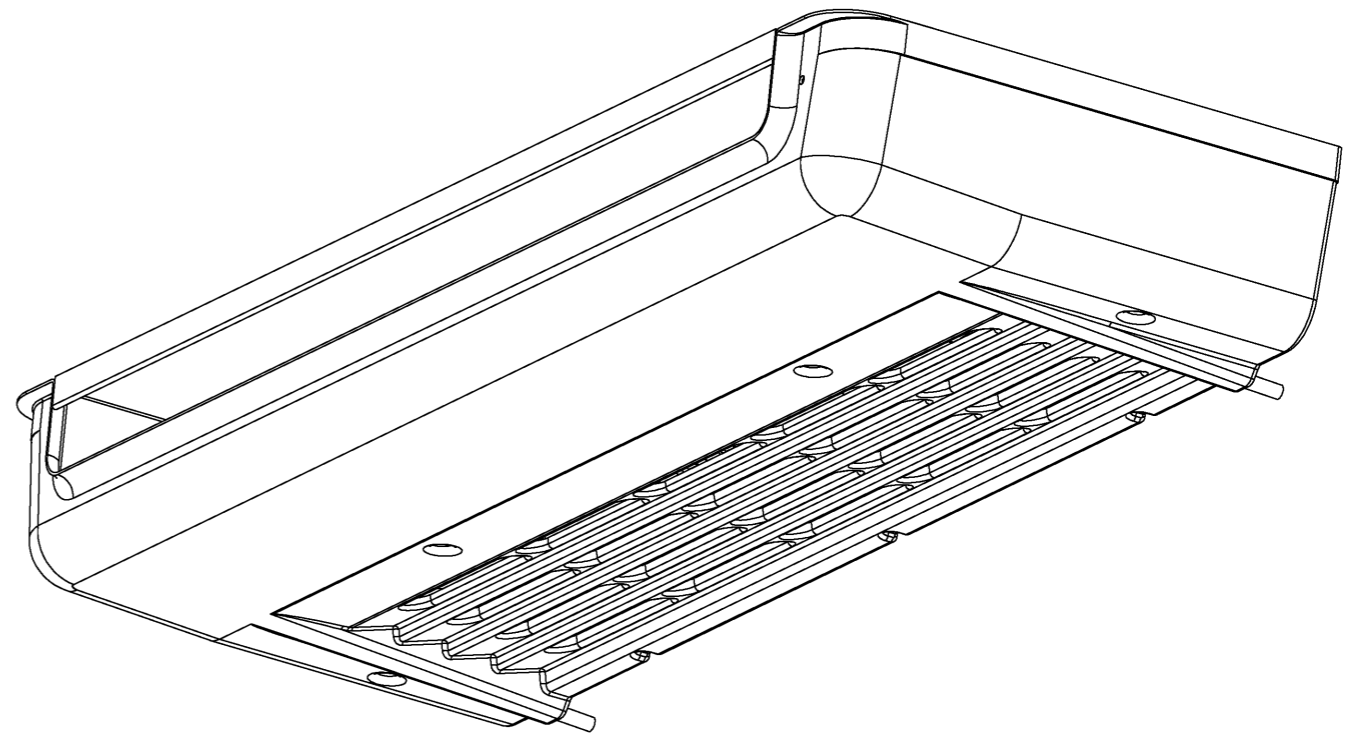
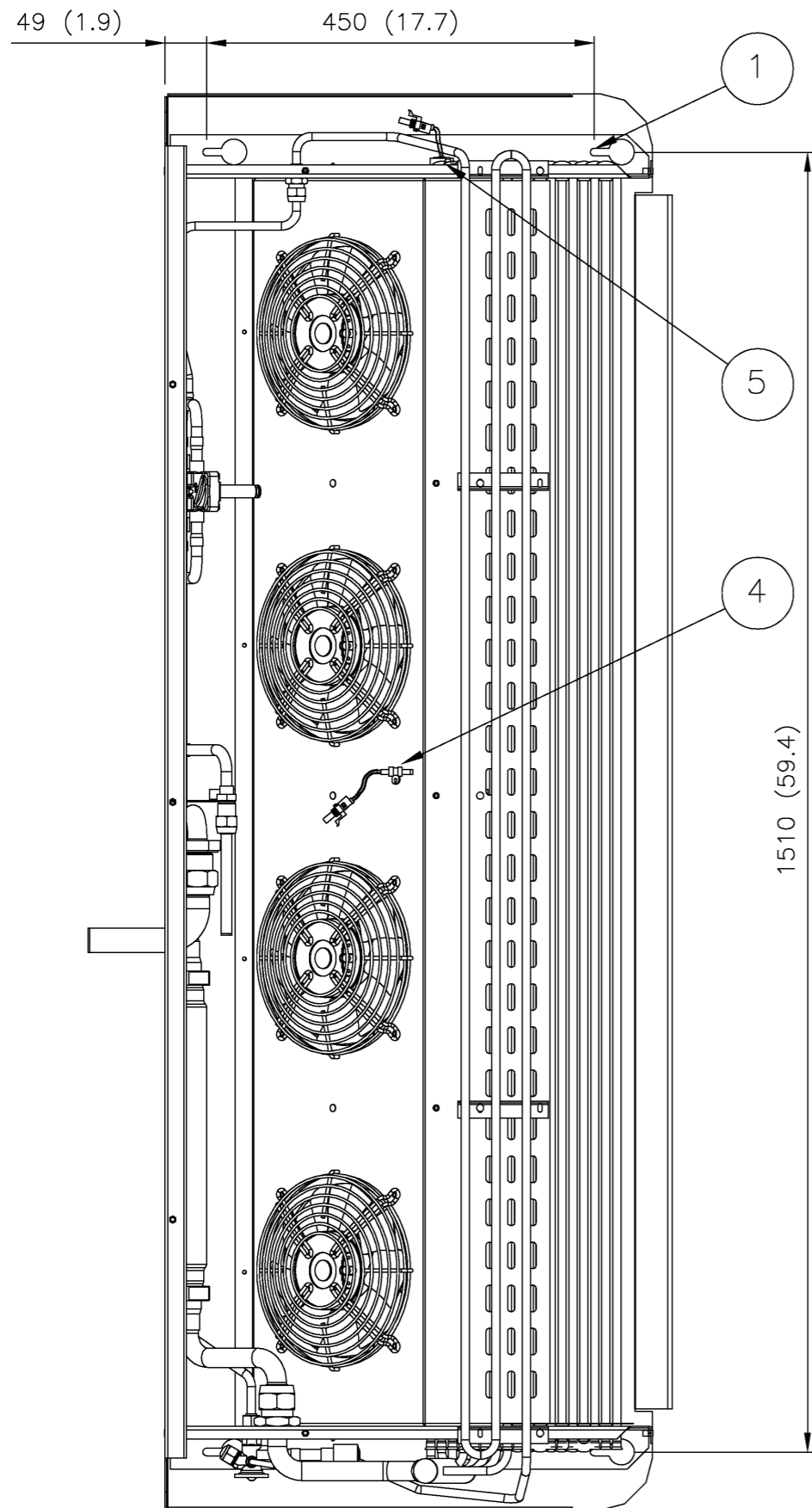
ITEM	PART NUMBER	REV.	DESCRIPTION	QTY.	MAT'L SPEC'S
LIST OF MATERIAL					
DRAWN	JORDI L.	DATE	30-May-02	OUTLINE DRAWING EVAPORATOR ES700 SHEET <u>1</u> OF <u>2</u>	
CHECKED	A. SENDINO	DATE	06-Jun-02		
APPROVED	MANEL R.	DATE	06-Jun-02		
THIS PRINT SUPERSEDES ANY OF EARLIER DATE. DESTROY SAME.					
		SCALE	1/7.5	MATERIAL:	
		FINISH:			
				DRAWING NUMBER	REV.
				1E08901	B

DIMENSIONS IN MILLIMETERS

! THIRD ANGLE PROJECTION

THIS DOCUMENT CONTAINS PROPRIETARY INFORMATION OF THE THERMO KING CORPORATION. IT IS TRANSMITTED TO YOU IN CONFIDENCE AND TRUST, AND IS TO BE RETURNED UPON REQUEST. ITS CONTENTS MAY NOT BE DISCLOSED IN WHOLE OR IN PART TO OTHERS OR USED FOR OTHER THAN THE PURPOSE FOR WHICH TRANSMITTED WITHOUT THE PRIOR WRITTEN PERMISSION OF THERMO KING CORPORATION.

REVISIONS					
ECO	SYM	DESCRIPTION	DATE	BY	CHK APP



- 1.-Mounting holes (4 X $\phi 9$)
- 2.-Suction line in cool mode (1" 1/8 copper-tube)
- 3.-Liquid line in cool mode (1/2" copper-tube)
- 4.-Temperature sensor
- 5.-Defrost switch

NOTE:
DIMENSIONS IN BRACKETS ARE INCHES

DIMENSIONS IN
MILLIMETERS

! THIRD ANGLE PROJECTION

ITEM	PART NUMBER	REV.	DESCRIPTION	QTY.	MAT'L SPEC'S
LIST OF MATERIAL					
DRAWN	JORDI L.	DATE	30-May-02	<div style="display: flex; justify-content: space-between;"> <div style="text-align: center;"> <p>OUTLINE DRAWING EVAPORATOR ES700</p> </div> <div style="text-align: right;"> </div> </div>	
CHECKED	A. SENDINO	DATE	06-Jun-02		
APPROVED	MANEL R.	DATE	06-Jun-02		
THIS PRINT SUPERSEDES ANY OF EARLIER DATE. DESTROY SAME.			SCALE	SHEET <u>2</u> OF <u>2</u>	
MATERIAL:		FINISH:		DRAWING NUMBER	REV.
				1E08901	B
THIS DOCUMENT CONTAINS PROPRIETARY INFORMATION OF THE THERMO KING CORPORATION. IT IS TRANSMITTED TO YOU IN CONFIDENCE AND TRUST, AND IS TO BE RETURNED UPON REQUEST. ITS CONTENTS MAY NOT BE DISCLOSED IN WHOLE OR IN PART TO OTHERS OR USED FOR OTHER THAN THE PURPOSE FOR WHICH TRANSMITTED WITHOUT THE PRIOR WRITTEN PERMISSION OF THERMO KING CORPORATION.					